

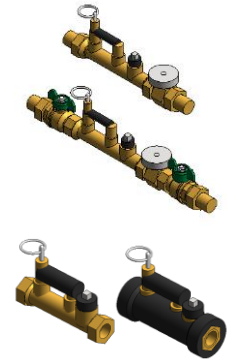
QuickSetter™, QuickSetter+™ Balancing Valve

© Copyright 2024 Caleffi

132, 132AFC Series

Revit Content Instructions Guide

Manufacturer & Product:	Caleffi 132AFC QuickSetter+, 132 QuickSetter
Files:	Balancing_Valve-QuickSetter+-Caleffi-Brass-132AFC.rfa Balancing_Valve-QuickSetter-Caleffi-Brass-132.rfa
Type Catalogs:	Balancing_Valve-Quicksetter+-Caleffi-Brass-132AFC.txt Balancing_Valve-QuickSetter-Caleffi-Brass-132.txt
Rendering file:	Not Applicable
Schedule file:	Not Applicable



These families contain the following main variations or types:

132AFC QuickSetter+

- Sizes include 0.5 in., 0.75 in., and 1 in. with NPT Male, Press, Sweat, PEX Crimp, and PEX Expansion connection types
- Options of adding temperature gauge
- All the above variations are included as separate types in the type catalog of each family

132A QuickSetter

- | | |
|------------------------------|-------------------------|
| • 0.5in. NPT Female_132432A | • 0.5in. Press_132436A |
| • 0.75in. NPT Female_132552A | • 0.75in. Press_132552A |
| • 1in. NPT Female_132662A | • 1in. Press_132662A |
| • 1.25in. NPT Female_132772A | • 1.25in. Press_132772A |
| • 1.5in. NPT Female_132882A | • 1.5in. Press_132882A |
| • 2 inch NPT Female_132992A | • 2in. Press_132992A |

Instance Properties

Here is a curated list of notable parameters for the Revit user within the Caleffi 132AFC QuickSetter+, 132 QuickSetter families.

Construction	
Insulation Sleeve (default)	This controls the visibility of insulation shell
Inlet Isolation Valve (default)	This controls the isolation valve type on the inlet.
(0) No Isolation Valve on Inlet (default)	This is active if no isolation valve is selected on inlet
(1) 290030 Isolation Valve on Inlet (default)	This is active if 290030 isolation valve is selected on inlet
(2) 290031 Isolation Valve on Inlet (default)	This is active if 290031 isolation valve is selected on inlet
Outlet Isolation Valve (default)	This controls the isolation valve type on the outlet.
(0) No Isolation Valve on Outlet (default)	This is active if no isolation valve is selected on outlet
(1) 290030 Isolation Valve on Outlet (default)	This is active if 290030 isolation valve is selected on outlet
(2) 290031 Isolation Valve on Outlet (default)	This is active if 290031 isolation valve is selected on outlet
Mechanical - Flow	
Design Flow Rate (default)	This tells you the flow that this component is reading in the system.
Flow Warning (default)	This tells you a warning if the flow rate exceeds the maximum allowable.
Mechanical - Loads	
Pressure Drop Feet of Water (default)	Specify the pressure drop in feet of water.
System Pressure Drop (default)	This tells you the system pressure drop.

When the isolation valve check box is selected for the family, isolation valve is placed on the port corresponding to the box. All the applicable boxes need to be checked for desired configuration.

Type Properties

Here is a curated list of notable parameters for the Revit user within the Caleffi 132AFC QuickSetter+, 132 QuickSetter family.

132AFC QuickSetter+

Identity Data	
Assembly Code	D3040
Contact URL*	http://www.caleffi.com/usa/en-us/contacts/contact-us
Copyright*	©Caleffi North America
Cost	
Description	Balancing Valve with Flow Meter and Temperature Gauge
Family Version*	1
Keynote	
Manufacturer	Caleffi North America, Inc.
Model	132633AFC
Product Page URL*	https://www.caleffi.com/usa/en-us/catalogue/quicksetterm-balancing-valve-low-lead-132434afc
Type Comments	
Type Image	
Series*	132AFC Series
Standards*	NSF/ANSI/CAN 372, ASTM F 1807, ASTM F 1960
URL	https://www.caleffi.com/usa/en-us

Halftone text in the property tables indicates that the value is locked from editing.

*Indicates Shared Parameter and can be scheduled

132 QuickSetter

Identity Data	
Assembly Code	D3040
Contact URL*	http://www.caleffi.com/usa/en-us/contacts/contact-us
Copyright*	©Caleffi North America
Cost	
Description	Balancing Valve with Flow Meter
Family Version*	1
Keynote	
Manufacturer	Caleffi North America, Inc.
Model	132432A
Product Page URL*	http://www.caleffi.com/usa/en-us/catalogue/quicksetterm-balancing-valve-132432a
Type Comments	
Type Image	
Series*	132 Series
URL	https://www.caleffi.com/usa/en-us

Rendering

Note: Standard Caleffi materials are imported. These may be modified, but please ensure that the modification selection matches an actual manufacturer supplied option.

Loading and Placing into the Project

To work with the Caleffi 132AFC QuickSetter+, 132 QuickSetter in Revit, a family and a type catalog are provided. Navigate to the Insert Tab > Load Family button on the Revit ribbon to load the family. Be sure the type catalog (.txt) file is located in the same folder as the family you are loading.

Please ensure that the visibility settings within the project are modified to have the Piping category visible.

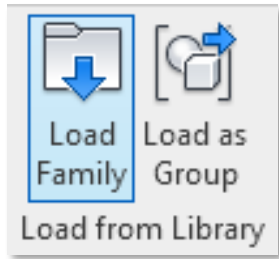


Figure 1 - Insert Tab > Load Family

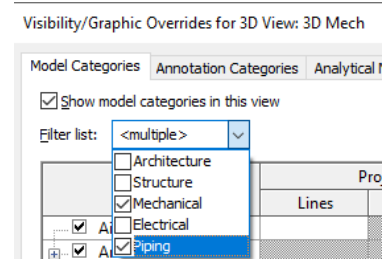


Figure 2 - Visibility/Graphic Overrides

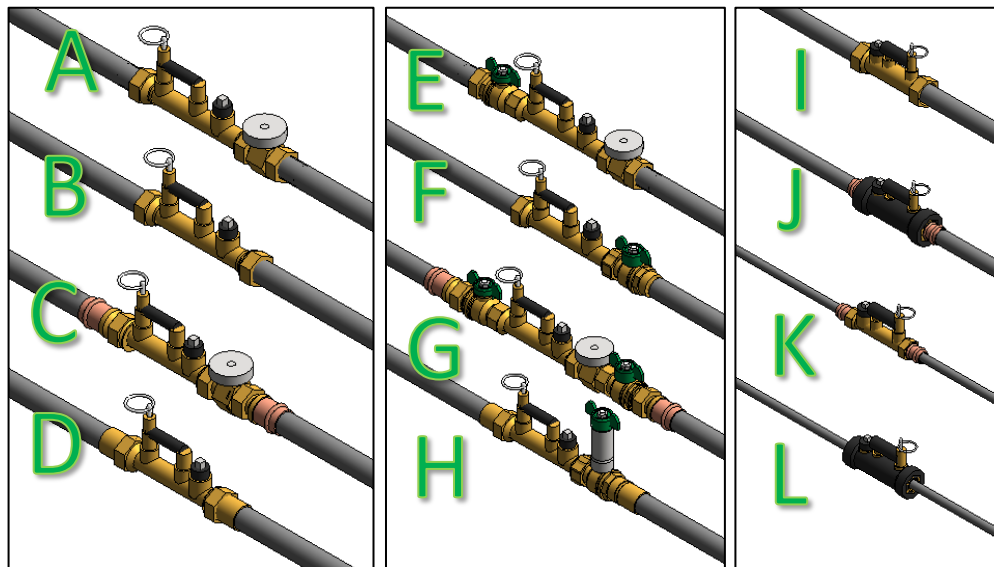


Figure 3 - Caleffi 132AFC QuickSetter+, 132 QuickSetter

Example variations of 132 QuickSetter+, QuickSetter:

- A. QuickSetter+ with 1 in. PEX Expansion connection with temperature gauge
- B. QuickSetter+ with 1 in. PEX Crimp connection without temperature gauge
- C. QuickSetter+ with 1 in. Press connection with temperature gauge
- D. QuickSetter+ with 1 in. Sweat connection without temperature gauge
- E. QuickSetter+ with 1 in. PEX Expansion connection with temperature gauge, with isolation valve at inlet
- F. QuickSetter+ with 1 in. PEX Crimp connection without temperature gauge, with isolation valve at outlet
- G. QuickSetter+ with 1 in. Press connection with temperature gauge, with isolation valve at inlet and outlet
- H. QuickSetter+ with 1 in. Sweat connection without temperature gauge, with isolation valve with stem extension at outlet
- I. QuickSetter with 1.25 in. FNPT connection
- J. QuickSetter with 1 in. Press connection with Insulation Shell
- K. QuickSetter with 0.75 in. Press connection
- L. QuickSetter with 0.5 in. FNPT connection with Insulation Shell

Project Behavior

One way to place a Caleffi 132AFC QuickSetter+, 132 QuickSetter is to go to the Systems Tab on the Revit ribbon and navigate to the Component button with Place a Component fly-out selected.

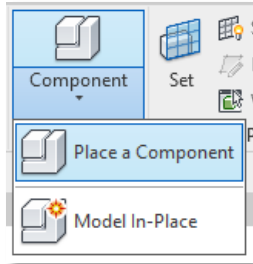


Figure 4 - Systems Tab > Component > Place a Component

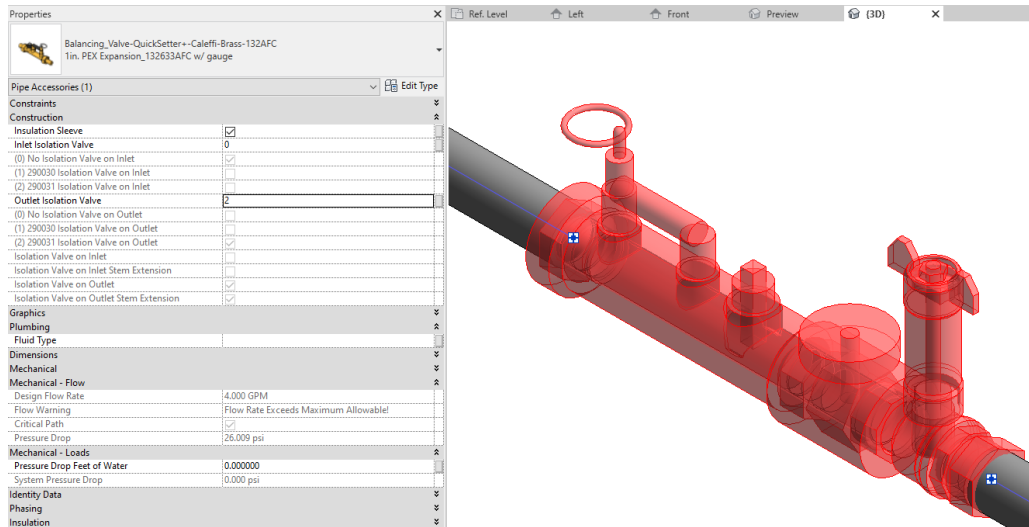
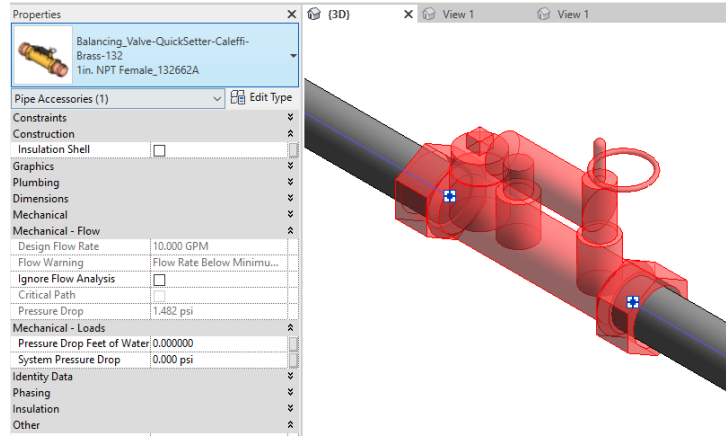


Figure 5 – The Caleffi 132AFC QuickSetter+, 132 QuickSetter families can be found under pipe accessories in the project browser and placed directly onto pipe of the same size. It will then read flows and consider pressure drop in the system.

Schedule Creation

Within the type and instance properties dialogues, the Revit user will find useful information for scheduling purposes such as Type, Part Description, Part Number/Model, Family Version, Manufacturer, Series, & Product Page URL. The resulting pipe accessories schedule in your project will show counts/quantities of the Caleffi 132AFC QuickSetter+, 132 QuickSetter as well as separate quantities/counts of any separately purchased accessory products that do not come in box with the Caleffi 132AFC QuickSetter+, 132 QuickSetter.

