

## 128 Series Union Y-strainer

© Copyright 2022 Caleffi

## 128 series

### Function



The 128 Series Y-strainer is available with NPT male, sweat, press, PEX crimp and PEX expansion union connections. The dual union design makes installation and maintenance fast, easy and efficient with a variety of tailpiece options. Constructed of DZR low-lead brass, the 128 Series Y-strainer is ideally suited for use in plumbing and hydronics systems.

### Product range

128 Series Union Y-strainer:

sizes 1/2", 3/4", 1"

### Technical specifications

#### Materials

Body:	low lead brass
Strainer:	stainless steel
Seals:	peroxide-cured EPDM
Pressure and temperature test port plugs:	low lead brass
Pressure and temperature test ports:	body and cap- low lead brass; core- EPDM
Drain port plug:	low lead brass

#### Performance

Medium:	Water, glycol solutions
Max. percentage of glycol:	50%
Max. working pressure:	400 psig (400 WOG)
Working temperature range:	32° to 212°F (0° to 100°C)
Strainer mesh diameter:	0.87 mm (20 mesh)

<b>Connections:</b>	dual unions, 1/2", 3/4", 1" MNPT, press, sweat, PEX crimp, PEX expansion
Pressure and temperature test ports connections:	self closing fast-plug
Blowdown port connection:	plugged 1/2" NPT
Identification:	metal plate with ball chain stating strainer mesh size

**Certifications:** NSF/ANSI 372, California Health and Safety Code 116875 S.3874, Vermont Act 193, Maryland's Lead Free Law HB.372, certified by ICC-ES, file PMG-1360



## SAFETY INSTRUCTION

This safety alert symbol will be used in this manual to draw attention to safety related instructions. When used, the safety alert symbol means **ATTENTION! BECOME ALERT! YOUR SAFETY IS INVOLVED! FAILURE TO FOLLOW THESE INSTRUCTIONS MAY RESULT IN A SAFETY HAZARD.**



**WARNING:** This product can expose you to chemicals including lead, which is known to the State of California to cause cancer and birth defects or other reproductive harm. For more information go to [www.P65Warning.ca.gov](http://www.P65Warning.ca.gov).



**CAUTION:** All work must be performed by qualified personnel trained in the proper application, installation, and maintenance of systems in accordance with all applicable codes ordinances.



**CAUTION:** Over-tightening and breakage can occur with the use of Teflon® pipe joint compounds. Teflon® provides lubricity so that care must be exercised not to over-tighten joints. Failure to follow these instructions could result in property damage and / or personal injury.



**CAUTION:** System fluids under pressure or temperature can be hazardous. Be sure the pressure has been reduced to zero and the system temperature is below 100°F (38°C). Failure to follow these instructions could result in property damage and/or personal injury.



**CAUTION:** Clean the pipes of any debris, rust, incrustations, welding slag and any other contaminants. For optimal operation, air in the system must be removed.



**CAUTION:** If the Y-strainer is not installed, commissioned and maintained properly, according to the instructions contained in this manual, it may not operate correctly and may endanger the user.



**CAUTION:** Make sure that all the connecting pipework is water tight.

Caleffi shall not be liable for damages resulting from stress corrosion, misapplication or misuse of its products..



## CONSIGNE DE SÉCURITÉ

Ce symbole d'avertissement servira dans ce manuel à attirer l'attention sur la sécurité concernant instructions. Lorsqu'il est utilisé, ce symbole signifie. **ATTENTION! DEVENEZ ALERTE ! VOTRE SÉCURITÉ EST EN JEU ! NE PAS SUIVRE CES INSTRUCTIONS PEUT PROVOQUER UN RISQUE DE SECURITE.**



**AVERTISSEMENT:** Ce produit peut vous exposer à des produits chimiques comme le plomb, qui est connu dans l'État de Californie pour causer le cancer, dommages à la naissance ou autre. Pour plus d'informations rendez-vous [www.P65Warnings.ca.gov](http://www.P65Warnings.ca.gov).



**AVERTISSEMENT:** Tous les travaux doivent être effectués par du personnel qualifié formé à la bonne application, installation et maintenance des systèmes conformément aux codes et règlements locaux.



**AVERTISSEMENT:** Un serrage excessif et une rupture peuvent survenir avec l'utilisation de Teflon® composés de joint de tuyau. Le Teflon® offre un pouvoir lubrifiant de sorte que les soins doivent être exercé pour ne pas trop serrer les joints. Non-respect de ces instructions pourrait entraîner des dommages matériels et / ou des blessures corporelles.



**AVERTISSEMENT:** Les liquides du système sont sous pression ou de la température peuvent être dangereux. Être sûr que la pression a été réduite à zéro et la température du système est inférieure à 100°F (38°C). Le non-respect de ces instructions peut entraîner des dommages matériels et/ou des blessures.



**AVERTISSEMENT:** Nettoyer les tuyaux de tout débris, roille, incrustations, scories de soudure et d'autres contaminants. Pour un fonctionnement optimal, de l'air dans le system doit être retiré.



**AVERTISSEMENT:** Si le Filtre en Y, n'est pas installé, mis en service et Entretien correctement, selon les instructions contenues dans ce manuel, il Peut ne pas fonctionner correctement et peut mettre en danger l'utilisateur.



**AVERTISSEMENT:** S'assurer que tous les raccords sont étanches.

Caleffi ne pourra être tenue responsable des dommages résultant de la corrosion, d'une mauvaise utilisation ou une mauvaise utilisation des produits.

**Installation:**

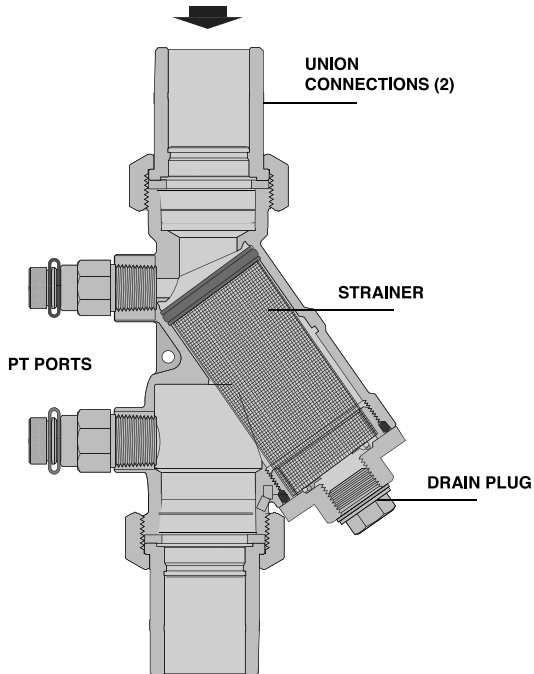
Install the 128 Y-strainer so the flow direction arrows on the body match the system's flow direction. It is important to allow easy access to the strainer for future inspection and maintenance. The 128 Y-strainer should be installed upstream of any fluid control device or heat exchanger for protection from dirt and debris which can affect system performance

**Isolation valves**

The Caleffi 290030 full-port ball valve is perfect for isolating the 128 series Y-strainer for servicing. The compact union Male x Female isolation valve installs in between the 128 strainer body and the tailpiece fitting assembly. An optional stem extension is also available for the 290030 for those projects requiring pipe insulation.

**Construction details**

The 128 Series dual union y-strainer uses the same low-lead brass body as the 128 Series FlowCal™ and FlowCal+™ balancing valves with factory-installed PT test ports included. A high-quality 20 mesh strainer and cap with blowdown plug are included.



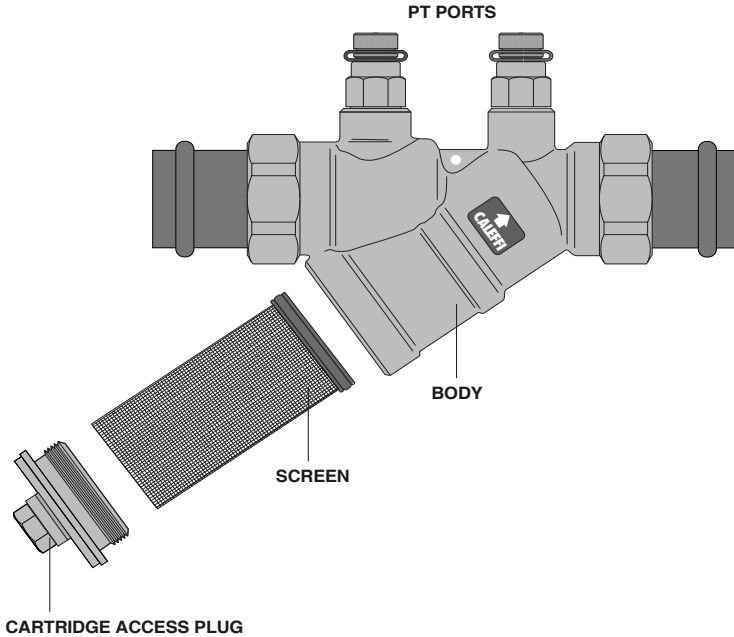
**Maintenance:**

**Serviceability**

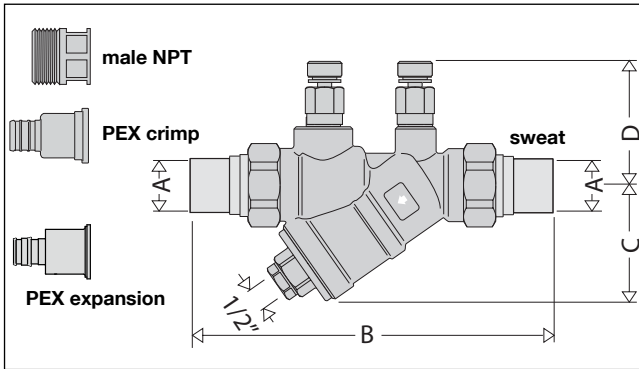
The Y-pattern body of the 128 Series strainer allows the body to remain in the piping while the screen is being serviced, which simplifies maintenance and saves time. The blowdown port plug can be replaced by a field-supplied low lead blowdown ball valve or the entire cap can be removed for full access to the screen.

**Cleaning**

As part of a routine maintenance program, use a differential pressure measurement tool to check the pressure drop across the PT Test Ports. When the pressure drop across a Y-strainer reaches approximately 5 or 6 psid, it is time to clean it out.



**Dimensions:**



Code	A (union connections)	B	C	D	Wt (lb/kg)
128741000	1/2" NPT male	4-11/16"	2"	2-13/16"	1.5/0.7
128742000	1/2" PEX expansion	8-13/16"			1.5/0.7
128744000	1/2" PEX crimp	7-13/16"			1.5/0.7
128746000	1/2" press*	6-9/16"			1.5/0.7
128749000	1/2" sweat	5-15/16"			1.3/0.6
128751000	3/4" NPT male	4-5/8"			1.5/0.7
128752000	3/4" PEX expansion	8-13/16"			1.5/0.7
128754000	3/4" PEX crimp	7-13/16"			1.5/0.7
128756000	3/4" press*	7-5/16"			2.1/0.95
128759000	3/4" sweat	6-7/16"			2.1/0.95
128761000.	1" NPT male	7-3/16"			1.7/0.8
128762000.	1" PEX expansion	8-13/16"			1.7/0.8
128764000	1" PEX crimp	8"			1.7/0.8
128766000	1" press*	7-1/4"			1.7/0.8
128769000	1" sweat	7-3/16"	2.2/1.0		

\*Lay length for press models:

-size 1/2 inch: 5"

-size 3/4 inch: 5-7/16"

-size 1 inch: 5-7/16"

## NOTES

## NOTES

## NOTES



Caleffi North America, Inc.  
3883 West Milwaukee Road  
Milwaukee, WI 53208  
T: 414.238.2360 F: 414.238.2366

08-2022