

By-pass differenziale per gruppi serie 165, 166 e 167

I

Differential by-pass for 165, 166 and 167 series units

EN

Soupape de pression différentielle pour groupes séries 165, 166 et 167

FR

© Copyright 2022 Caleffi

code 519006



Funzione

La valvola di by-pass differenziale viene utilizzata per controllare la prevalenza a cui è sottoposto il circuito di distribuzione secondario.

Function

The differential by-pass valve is used to control the head to which the secondary distribution circuit is subjected.

Fonction

La soupape de pression différentielle permet de contrôler la hauteur manométrique qui s'exerce sur le circuit de distribution secondaire.

Technical specifications

Body:	brass EN 1982 CB753S
Obturator:	EPDM
Spring:	stainless steel
Seals:	EPDM

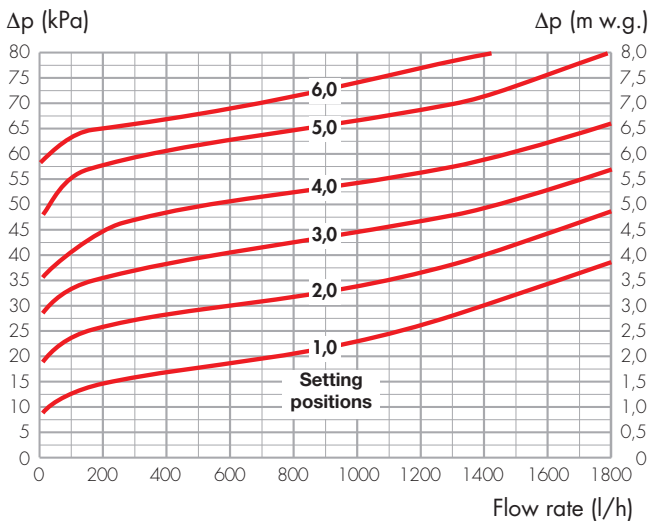
Max. working pressure: 10 bar

Max. working temperature: 100 °C

Setting range: 10–60 kPa (1–6 m w.g.)

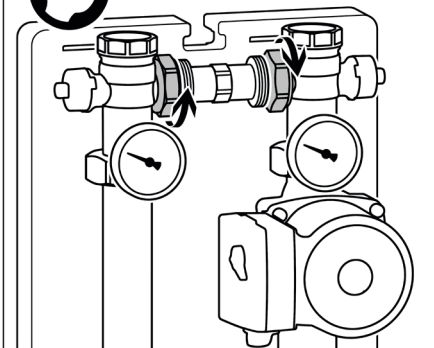
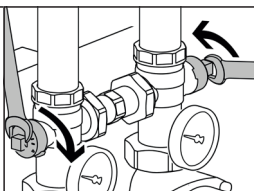
Connections: 1" M x 1" M (ISO 228-1)

Hydraulic characteristics

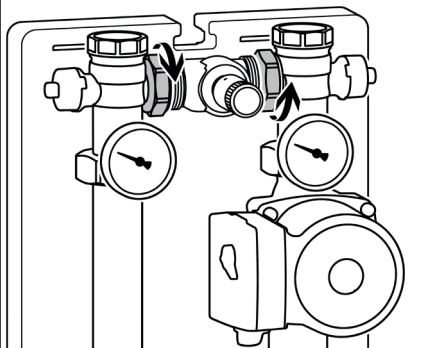


Installazione
Installation
Installation

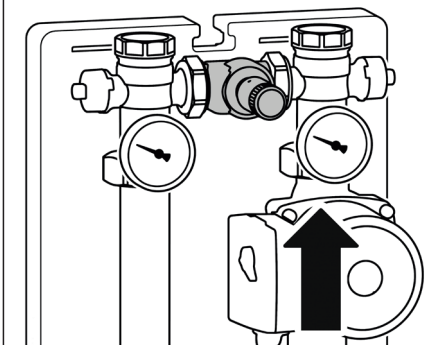
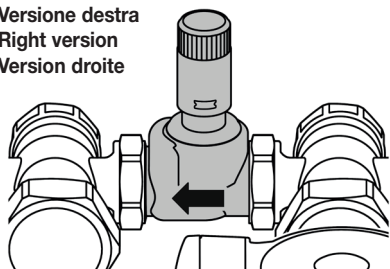
Chiudere le intercettazioni
Close the shut-off valves
Fermer les vannes d'arrêt



Installare by-pass differenziale
Install differential by-pass
Installer la soupape de pression différentielle



Versione destra
Right version
Version droite



Versione sinistra
Left version
Version gauche

