

Tankless Water Heater Service Valve Kit



KIT290503A

Submittal Data 03708 NA — Issue Date 112023

Application

The 290 Series tankless water heater service valve kit connects directly to the standard 3/4" MNPT nipples on the heater to facilitate isolating, flushing and servicing the water heater. The union connections make installation simple and quick. The kit includes one blue-handled cold water inlet full-port positive-shutoff 3-way ball valve, one red-handled hot water outlet full-port 3-way positive-shutoff ball valve, and a pressure relief valve in KIT290503A, set to 150 psi, which field-mounts to a side port on the hot water outlet ball valve. The 3/4" garden hose capped connections are for hose hookups to flush the heater.

Typical Specification

Furnish and install on the plans described herein, a Caleffi KIT290503A Tankless water heater service valve kit as manufactured by Caleffi. Each service valve must be designed with a low-lead brass body and tailpiece. Each valve must include a chrome-plated brass ball and PTFE seat, and HNBR 70 sh o-rings. Provided with pressure relief valve. Each dual check backflow preventer shall be Caleffi KIT290503A or approved equal. (See product instructions for specific installation information.)

Technical specifications

Materials

Body, tailpiece:	Low lead brass CW510L-DW
Ball:	Chrome plated brass CW511L-DW
Seat:	PTFE
Gasket:	PTFE G300
Shaft, union nut:	brass CW 617N-DW
O-ring seals:	HNBR 70 Sh
Union male x female reducing adapter:	Low lead brass CW724R-M
Union o-ring seals:	peroxide-cured EPDM 70 Sh

Performance

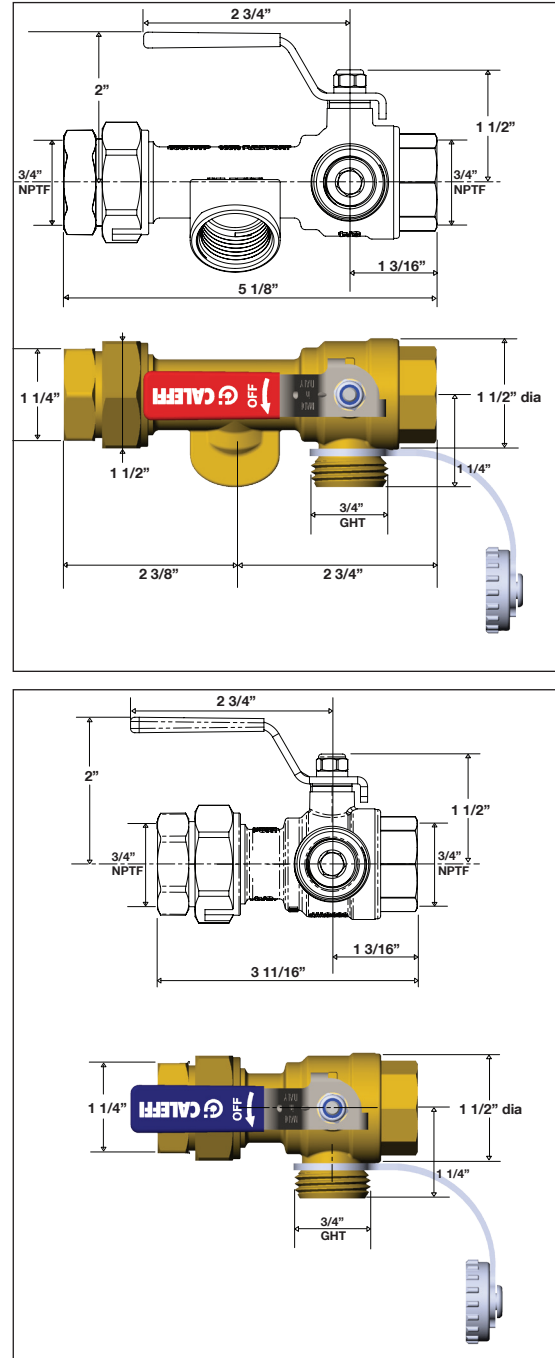
Suitable fluids:	Water
Cold working pressure (CWP):	600 psi (42 bar) up to 100°F (38°C)
Hot working pressure (HWP):	400 psi (28 bar) up to 230°F (110°C)
Working temperature range:	-4° to 230 °F (-20° – 110°C)
Seat leakage, 100% tested:	0%

Connections:

Tankless water heater cold inlet and hot outlet NPT male nipples:	3/4" NPT female union
Flushing and servicing connections:	3/4" capped garden hose
Hot water ball valve relief valve access port:	3/4" NPT female
Pressure relief valve discharge port:	3/4" NPT female

Service valves in the kit are certified to section 1417(d) of the Safe Drinking Water Act, The lead content requirements of Section 116875 of the California Health & Safety Code and NSF/ANSI/CAN 372. Listed by IAPMO R&T File Number K-14799.

Dimensions



We reserve the right to change our products and their relevant technical data, contained in this publication, at any time and without prior notice. Contractors should request production drawings if prefabricating the system

Job name _____
 Job location _____
 Engineer _____
 Mechanical contractor _____
 Contractor's P. O. No. _____
 Representative _____

Size _____
 Quantity _____
 Approval _____
 Service _____
 Tag No. _____
 Notes _____