

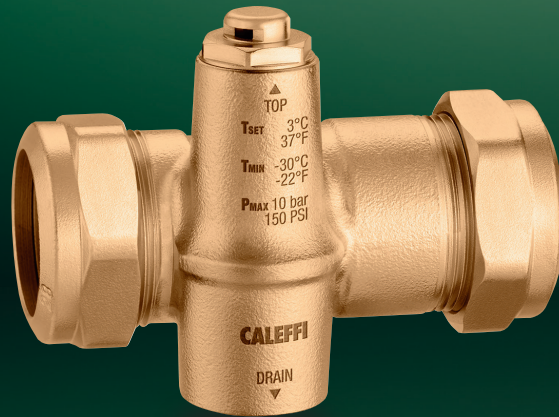


# iStop<sup>®</sup>PLUS

## Compact antifreeze valve

108 series

[www.caleffi.com](http://www.caleffi.com)



- \* Prevents the formation of ice in the circuit of a heat pump system, avoiding potential damage to the generator and pipes.
- Passive/mechanical protection system which does not require an electrical current.
- The special geometry of the device allows installation where space is extremely limited.
- The maximum working temperature of 90 °C adapts to operation with any heat pump.



## PRODUCT RANGE

### Compact antifreeze valve, threaded version



CODE	CONNECTION	Kv (m <sup>3</sup> /h)
108622	1" M	39

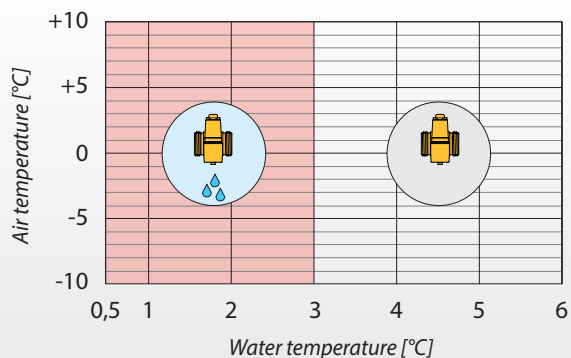
### Compact antifreeze valve - version with fitting for copper pipe



CODE	CONNECTION	Kv (m <sup>3</sup> /h)
108322	Ø 28	32.5

## OPERATING PRINCIPLE

The antifreeze valve allows drainage of the medium in the circuit when the circuit temperature reaches a value of 3 °C.

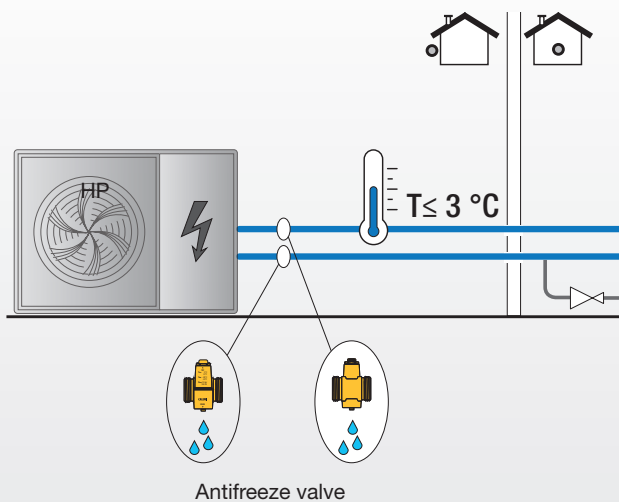


## TECHNICAL SPECIFICATIONS

Working temperature range	0–90 °C
Max. working pressure	10 bar
Medium	water
Medium temperature (opening)	3 °C
Medium temperature (closing)	4 °C

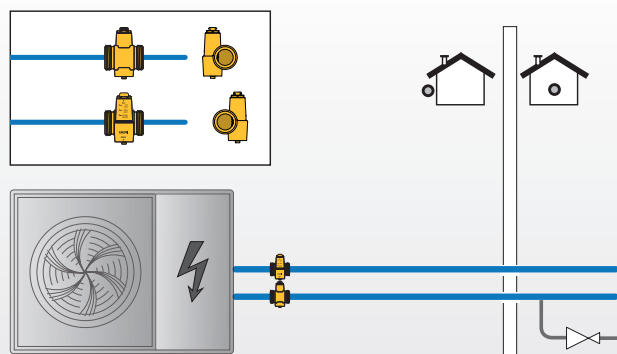
## APPLICATION DIAGRAM

Winter operation of the 108 series antifreeze valve in the event of electricity supply failure.



## INSTALLATION

The off-centre valve body allows installation of the protection system, even where space is extremely limited.



## REFERENCE DOCUMENTATION

108 series

- Tech. broch. 01419

**CALEFFI**  
Hydronic Solutions

Caleffi S.p.A. S.R. 229 no. 25 · 28010 Fontaneto d'Agogna (NO) · Italy  
Tel. +39 0322 8491 · Fax +39 0322 863723  
info@caleffi.com · www.caleffi.com · © Copyright 2024 Caleffi

*We reserve the right to make changes and improvements to our products and the related technical data in this publication, at any time and without prior notice. The website www.caleffi.com always has the most up-to-date version of the document, which should be used for technical verifications.*

0367424EN