



UNIVERSAL USER MODULE PLURIMOD EASY

CALEFFI
Hydronic Solutions



Heat systems

Correct measurement for correct management



FUNCTIONS AND FEATURES

- Specific for centralized systems with zone distribution, it combines the functions of temperature control, metering and dynamic hydraulic balancing.
- Integral thermal insulation: pre-formed insulation suitable for both hot and cold distribution, no thermal bridges on the brackets.
- Integrated differential pressure control and possibility of limiting the maximum flow rate through the pre-regulation device.
- Ideal for use in variable flow rate systems with thermostatic valves.
- Compact, pre-assembled module with compact wall box (480 x 480 x 130 mm), which offers great flexibility in terms of positioning.
- Direct metering through 3/4" heat meter CONTECA EASY 7504 series, MID certified.

PRODUCT RANGE



Complies with
Directive
2014/32/UE (MI004)

CODE	ACTUATOR	MAX. Δp DOWNSTR.	Kv	FLOW METER TYPE
700213	230 V (ac)	20 kPa	1,95	turbine
700214	24 V (ac)	20 kPa	1,95	turbine
700215	230 V (ac)	30 kPa	1,95	turbine
700216	24 V (ac)	30 kPa	1,95	turbine
700213 007	230 V (ac)	20 kPa	2,10	ultrasonic
700214 007	24 V (ac)	20 kPa	2,10	ultrasonic
700215 007	230 V (ac)	30 kPa	2,10	ultrasonic
700216 007	24 V (ac)	30 kPa	2,10	ultrasonic



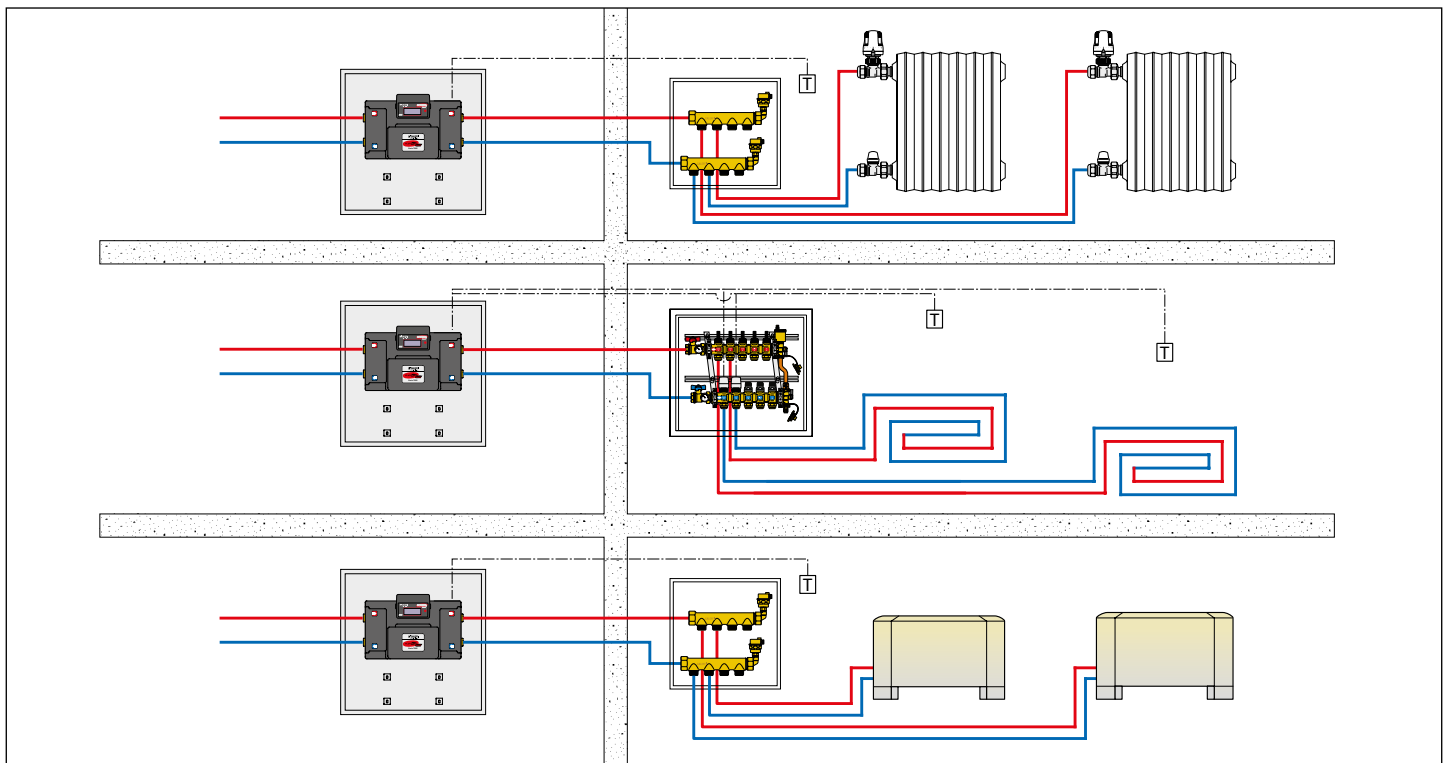
CODE	DOMESTIC WATER FUNCTION
700050	DHW 3/4" with local reading
700051	DHW 3/4" with pulse output
700052	DCW 3/4" with local reading
700053	DCW 3/4" with pulse output

CODE	SUPPORT TYPE
700205	recessed box
700205 003	steel plate

TECHNICAL SPECIFICATIONS

	700213 - 700214 - 700213 007 - 700214 007	700215 - 700216 - 700215 007 - 700216 007
Max. working pressure	10 bar	
Working temperature range	3–90°C	
Upstream range Δp	35–150 kPa	50–200 kPa
Max. indicated flow rate	800 l/h	1200 l/h
Connections	3/4" M	
Electric supply CONTECA 7554 series	24 V (ac) 50 Hz - 1 W	

APPLICATION DIAGRAMS



REFERENCE DOCUMENTATION

7002 series

- Technical brochure 01303



CALEFFI
Hydronic Solutions

0360018GB

WE RESERVE THE RIGHT TO CHANGE OUR PRODUCTS AND THEIR RELEVANT TECHNICAL DATA, CONTAINED IN THIS PUBLICATION, AT ANY TIME AND WITHOUT PRIOR NOTICE.

Caleffi S.p.A. S.R. 229 n. 25 · 28010 Fontaneto d'Agogna (NO) · Italy
Tel. +39 0322 8491 · Fax +39 0322 863723
info@caleffi.com · www.caleffi.com · © Copyright 2018 Caleffi