



AutoFill™

AUTOMATIC FAST-FILLING VALVE AND COMBO
553/573 SERIES



PRODUCT FEATURES

- **Automatic fast-filling:**
Fast fills a hydronic system to set pressure then automatically shuts off the water feed. No levers to flip or buttons to push.
- **Built-in shut-off valve and check valve:**
Allows isolation of system from supply to stop makeup water if desired. Integral check valve prevents loss of system pressure if the supply water pressure drops below system pressure.
- **Maintains stable system pressure:**
Automatically maintains system pressure setting with makeup water when the hydronic system pressure decreases due to air removal through automatic air vents or blowdowns of strainers or dirt separators.
- **Pre-calibration:**
Before charging the system, turn dial to desired system pressure with a screwdriver (factory preset to 15 psi). Optional downstream pressure gauge allows for easy confirmation of set pressure.
- **Anti-scale polymer materials:**
Prevents scaling on internal sliding surfaces, assuring stable pressure control and long operating life.
- **AutoFill Combo assembled with 573 FlowShield DuC-AV Backflow Preventer:**
The low-lead ASSE 1012 device prevents potential pollution of the supply water. The AutoFill Combo saves installation time and reduces space requirements.

Set it and Forget it!

The AutoFill™ is unlike traditional boiler fill valves. AutoFill quickly fills the system to the preset pressure and automatically shuts off. With the optional pressure gauge the system pressure can be viewed and adjusted as needed, with no more guessing. The popular, pre-assembled AutoFill Combo includes the 573 series FlowShield DuC-AV backflow preventer. DuC-AV complies with standards ASSE 1012 and NSF/ANSI/CAN 372, certified by ICC-ES.

PRODUCT RANGE - AutoFill™ Automatic Fast-Filling Valve and Combo

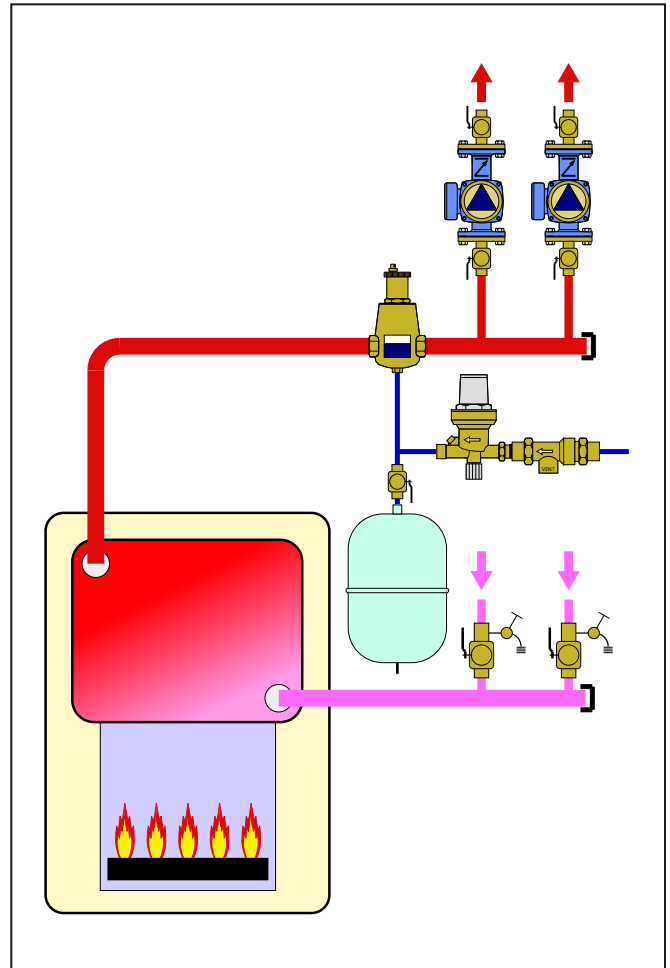
CONNECTION SIZE	OUTLET PRESSURE GAUGE	CODE					
		AutoFill		AutoFill Combo			
		MNPT x FNPT	SWEAT x FNPT	FNPT x FNPT	PRESS	PRESS x FNPT	SWEAT x FNPT
1/2"	√	553542A	553549A	573002A	573006A	573007A	573009A
		553642A	553649A	573012A	573016A	573017A	573019A



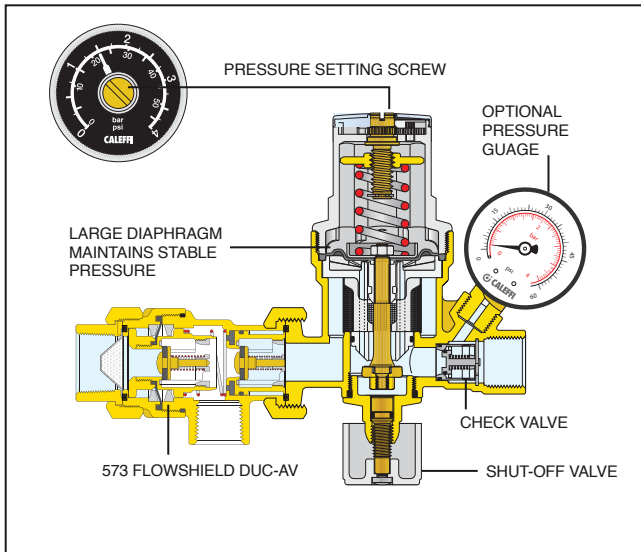
PERFORMANCE

MAX. working pressure - autofill	230 psi (16 bar)
MAX. working pressure - combo	175 psi (12 bar)
set pressure range	3 – 60 psi (0.2 – 4 bar)
pressure gauge scale	0 – 60 psi (0 – 4 bar)
MAX. working temperature	150 °F (65 °C)

APPLICATION DIAGRAM



CONSTRUCTION



Caleffi Partner:

WE RESERVE THE RIGHT TO CHANGE OUR PRODUCTS AND THEIR RELEVANT TECHNICAL DATA, CONTAINED IN THIS PUBLICATION, AT ANY TIME AND WITHOUT PRIOR NOTICE.



Caleffi North America, Inc.
 sales@caleffi.com · www.caleffi.com
 © Copyright 2024 Caleffi North America, Inc.

03591-24 NA | Caleffi17-065