



CONTROL UNIT FOR DOMESTIC HOT WATER TEMPERATURE

CALEFFI
Hydronic Solutions



Plumbing

Controlling and protecting your water



FUNCTIONS AND FEATURES

- High performance thermostatic mixing valve with thermal shut-off function.
- Modularity makes the unit very flexible.
- Designed for application at the point of distribution, complete with connection kit for cold water and recirculation.
- Complete with shut-off and check valves which allow correct installation of the mixing valve also in the presence of recirculation circuit.
- Thermostatic mixing valve accordant to standards EN 1111, EN 1287.
- Allows easy connection of domestic system pipes to the storage, by reducing to a minimum installation spaces.

PRODUCT RANGE



Adjustable thermostatic mixing valve with knob, complete with check valves and strainers at the inlet.



kiwa

CODE	BODY	CONN.	TEMPERATURE ADJUSTMENT	Kv (m³/h)
520040	DN 15	1/2"	35–65°C	1,5
520050	DN 20	3/4"	35–65°C	1,7
520060	DN 25	1"	35–65°C	3,0



Complete with thermostatic mixing valve featuring thermal shut-off function and tee for cold water connection equipped with check valves.

CODE	BODY	CONN.	TEMPERATURE ADJUSTMENT	Kv (m³/h)
520150	DN 20	3/4"	35–65°C	1,7
520160	DN 25	1"	35–65°C	3,0

Accessory kit for recirculation connection equipped with check valves.



CODE	BODY	CONN.
520005	DN 20	3/4"



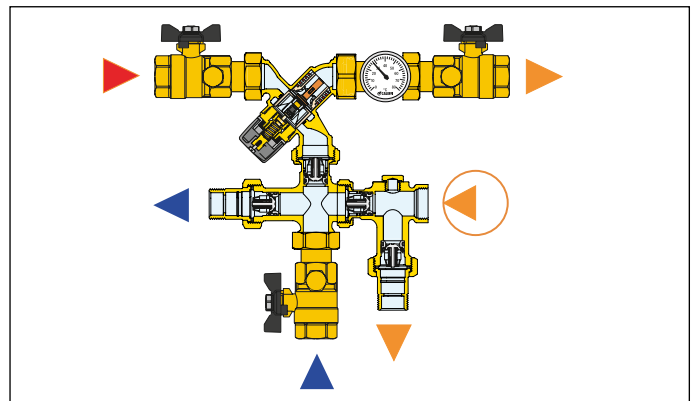
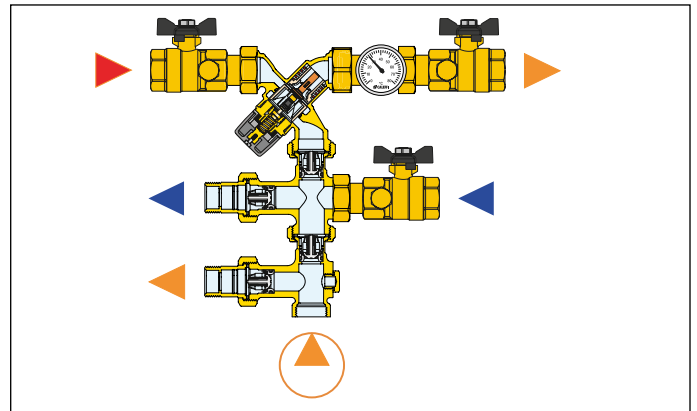
Complete with:
 - thermostatic mixing valve with thermal shut-off function;- kit for recirculation connection equipped with check valves;
 - tee for cold water connection equipped with check valves;
 - shut-off valves;
 - temperature gauge with pocket at the mixed water outlet.


CODE	BODY	CONN.	TEMPERATURE ADJUSTMENT	Kv (m³/h)
520155	DN 20	3/4"	35–65°C	1,7

TECHNICAL SPECIFICATIONS

Max. working pressure	10 bar
Max. working temperature	90°C

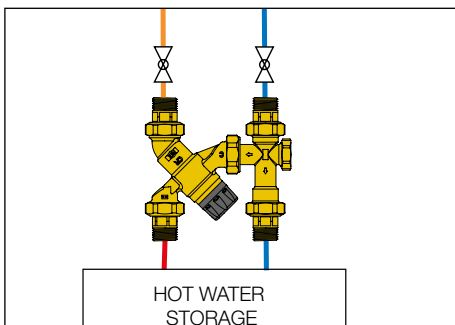
Interchangeable cold water/recirculation connections



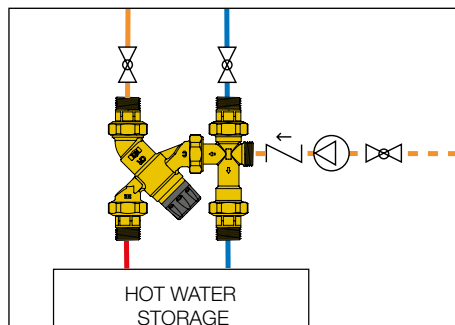
Domestic Water Sizer 
 DOMESTIC WATER SYSTEM SIZER ALSO FOR SMARTPHONE
 Available on caleffi.com and app for smartphone.
 Download the version for your iOS and Android® mobile phone.

APPLICATION DIAGRAMS

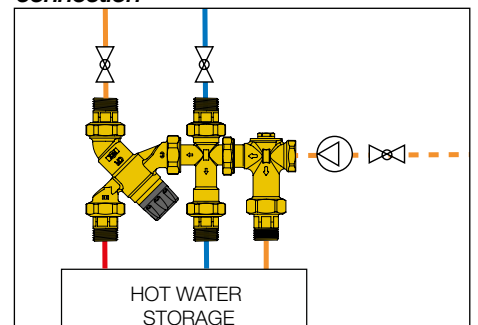
Without recirculation circuit



Water storage without recirculation connection



Water storage with recirculation connection



REFERENCE DOCUMENTATION

5200 series - Technical brochure 01266
 5201 series - Technical brochure 01267



CALEFFI
 Hydronic Solutions

035717GB