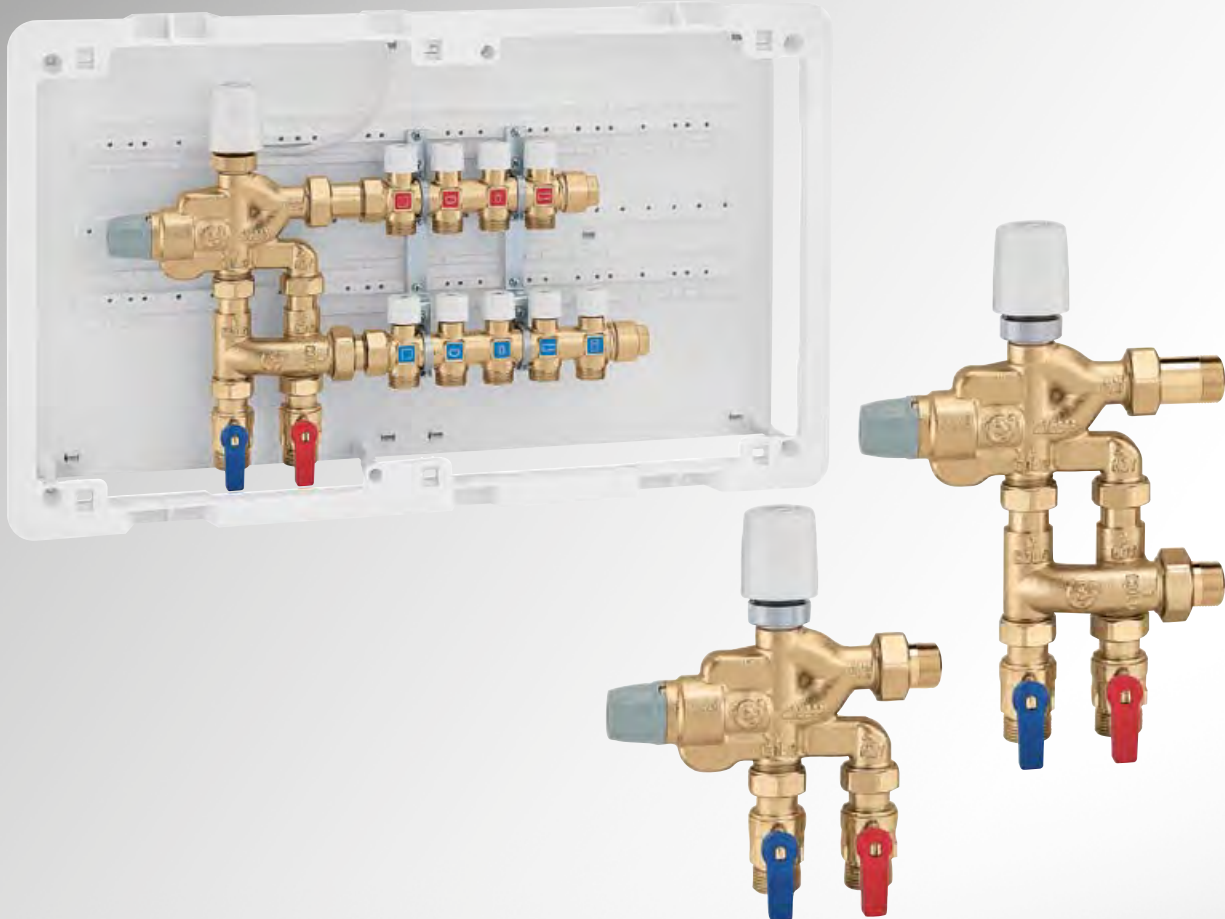




LEGIOFLOW® DOMESTIC WATER DISTRIBUTION UNITS

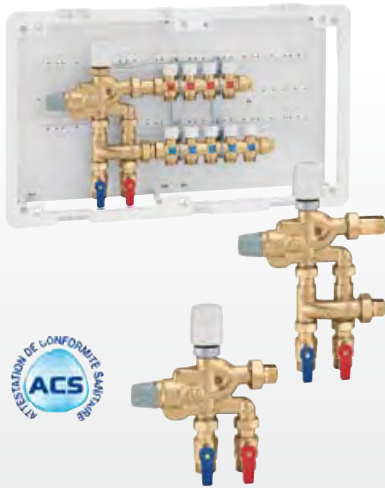
CALEFFI
Hydronic Solutions



FUNCTION AND FEATURES

- Fast installation: compact module, distribution manifolds with built-in shut-off valves
- Choice of by-pass opening: manual or controlled by a thermo-electric actuator
- Anti-scald safety for all the water draw-off points
- Available versions with or without manifolds and mixed water outlet only, specific for push-button tap systems
- Built-in, patented by-pass: allows thermal disinfection up to the water draw-off points as well as of the device itself

PRODUCT RANGE - LEGIOFLOW®



CODE*	CONNECTIONS	CONTROL HEAD	NO. OF COLD OUTLETS	NO. OF HOT OUTLETS	OUTLET CONNECTIONS
600530	3/4"	thermo-electric	3	2	23 p.1,5 M
600540	3/4"	thermo-electric	4	3	23 p.1,5 M
600550	3/4"	thermo-electric	5	4	23 p.1,5 M
600531	3/4"	manual	3	2	23 p.1,5 M
600541	3/4"	manual	4	3	23 p.1,5 M
600551	3/4"	manual	5	4	23 p.1,5 M

CODE	CONNECTIONS	CONTROL HEAD	OUTLET CONNECTIONS
600500	3/4"	thermo-electric	3/4" M with union
600501	3/4"	manual	3/4" M with union
600502**	3/4"	thermo-electric	3/4" M with union
600503**	3/4"	manual	3/4" M with union

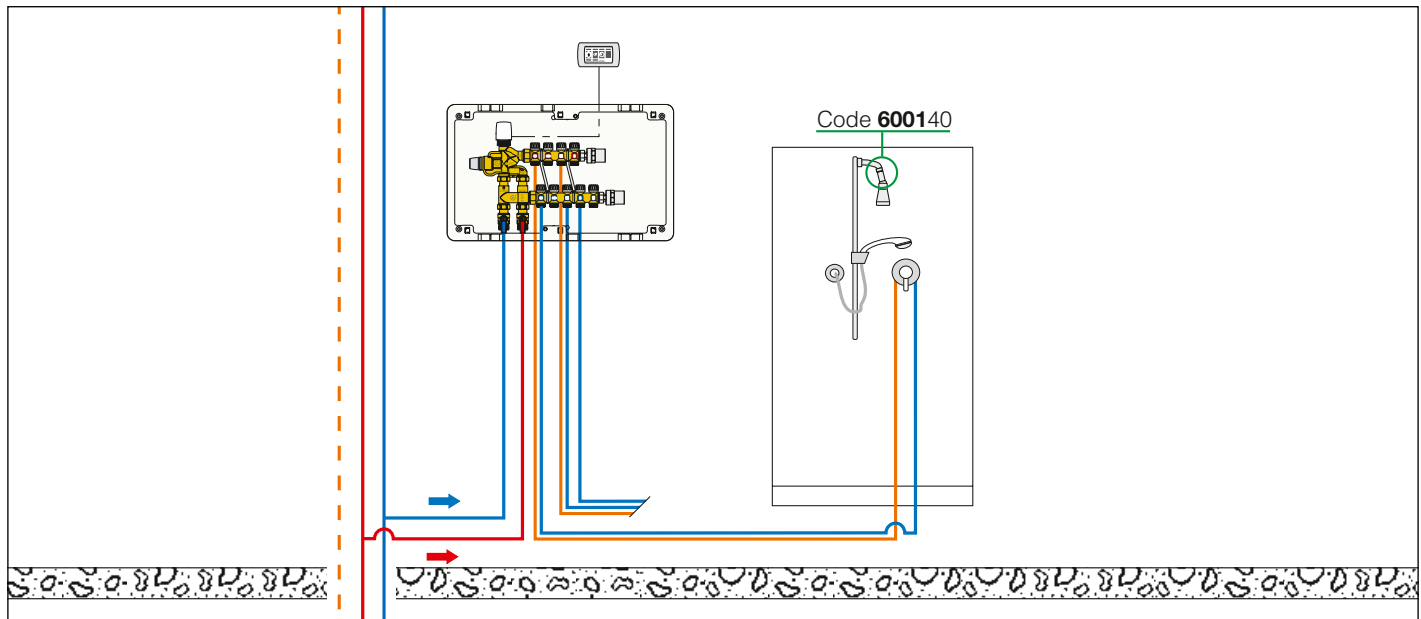
* model with distribution manifolds complete with shut-off valves and concealed box

** model with mixed water outlet only for push-button taps

TECHNICAL SPECIFICATIONS

MAX. WORKING PRESSURE	10 bar
TEMPERATURE ADJUSTMENT RANGE	30–50°C
FACTORY SETTING	43°C
MAX. INLET TEMPERATURE	85°C
Kv OF MIXING VALVE	1,75 (m³/h)
Kv OF BY-PASS	1,80 (m³/h)

APPLICATION DIAGRAM



REFERENCE DOCUMENTATION: BROCHURE 01160



CALEFFI
Hydronic Solutions

0353313GB

WE RESERVE THE RIGHT TO CHANGE OUR PRODUCTS AND THEIR RELEVANT TECHNICAL DATA, CONTAINED IN THIS PUBLICATION, AT ANY TIME AND WITHOUT PRIOR NOTICE.

Caleffi S.p.A. S.R. 229 n. 25 · 28010 Fontaneto d'Agogna (NO) · Italy
Tel. +39 0322 8491 · Fax +39 0322 863723
info@caleffi.com · www.caleffi.com · © Copyright 2013 Caleffi