



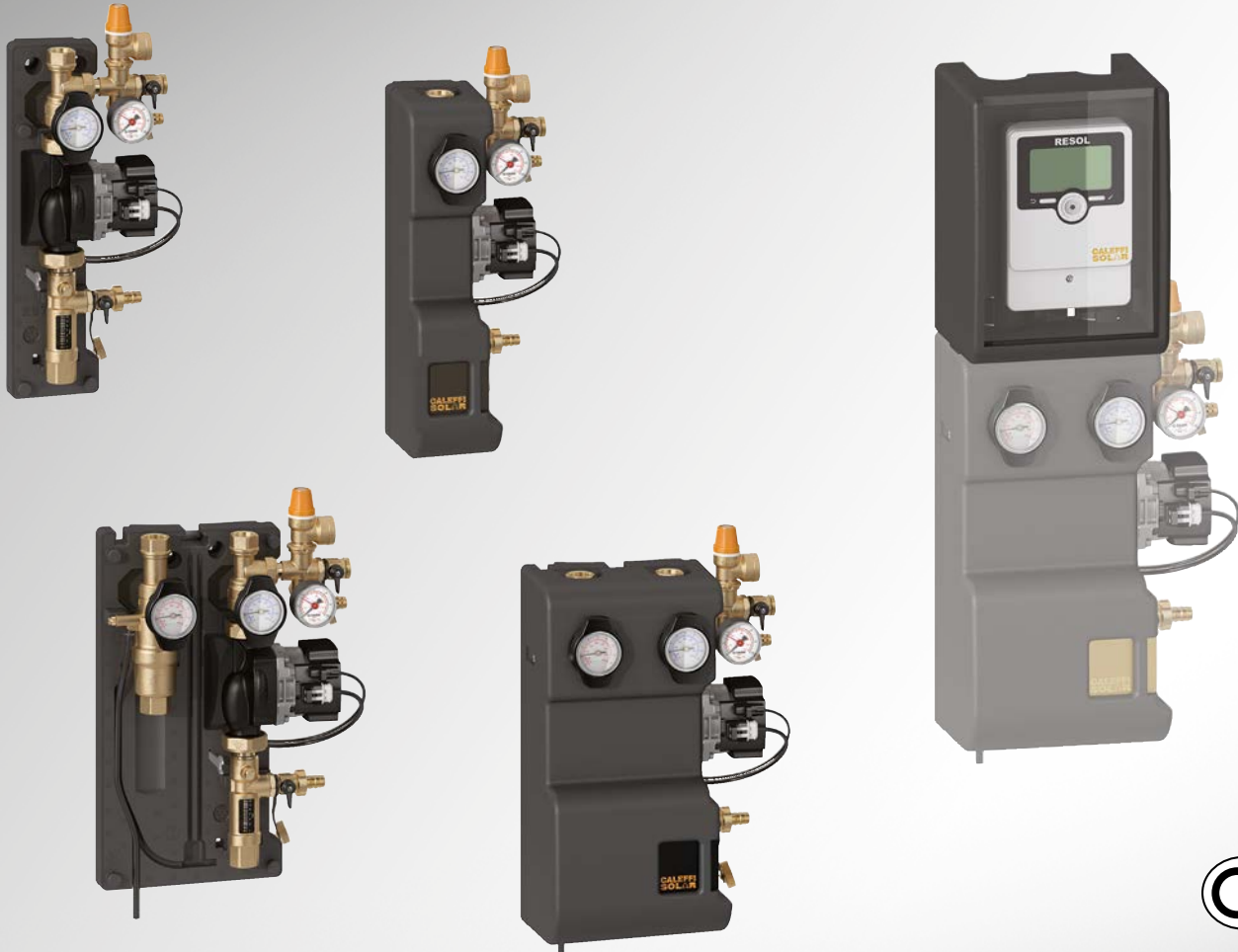
PUMP STATIONS AND DELTASOL® SLL REGULATOR

CALEFFI
Hydronic Solutions



Renewables

Harnessing nature's energy while protecting it



FUNCTIONS AND FEATURES

- Used on the primary circuit of solar thermal systems to regulate the temperature inside the water storage. Equipped with specific pump.
- Versions with supply and return connection or only return connection. Two flow rate adjustment ranges 1–13 l/min and 8–30 l/min.
- **Fitted for connection to the DeltaSol® SLL digital regulator** suitable to manage and control 9 different types of solar thermal systems.
- Control of pressure increase with a safety relief valve with adjustable outlet. Accurate flow rate adjustment, visible on the flow meter.
- Discharge of the air contained in the circuit using a separator device. Circuits shut-off using ball valves with built-in check valve.
- Measuring the flow and return temperature. Measuring the circuit pressure. Additional pre-formed thermal insulation suitable for housing the specific regulator.

PRODUCT RANGE

278 SERIES PUMP STATION FOR SOLAR THERMAL SYSTEMS, RETURN CONNECTION



Not fitted for the Deltasol® SLL regulator

CODE	COMPONENTS	FLOW METER
278050HE	UPM3 15-75 pump*	1-13 l/min
278052HE	UPM3 15-75 pump*	8-30 l/min

Fitted for the Deltasol® SLL regulator

CODE	COMPONENTS	FLOW METER
278750HE	UPM3 15-75 pump*	1-13 l/min
278752HE	UPM3 15-75 pump*	8-30 l/min

278 SERIES DELTASOL® SLL DIGITAL REGULATOR



CODE	INLETS	OUTLETS
278005	4 Pt1000 probes	3 semiconductor relays 2 PWM

279 SERIES PUMP STATION FOR SOLAR THERMAL SYSTEMS SUPPLY AND RETURN CONNECTION



Fitted for the Deltasol® SLL regulator

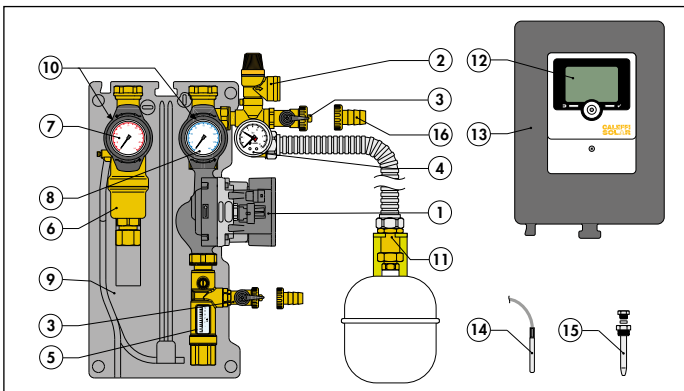
CODE	COMPONENTS	FLOW METER
279050HE	UPM3 15-75 pump*	1-13 l/min
279052HE	UPM3 15-75 pump*	8-30 l/min

* with PWM control

PERFORMANCE

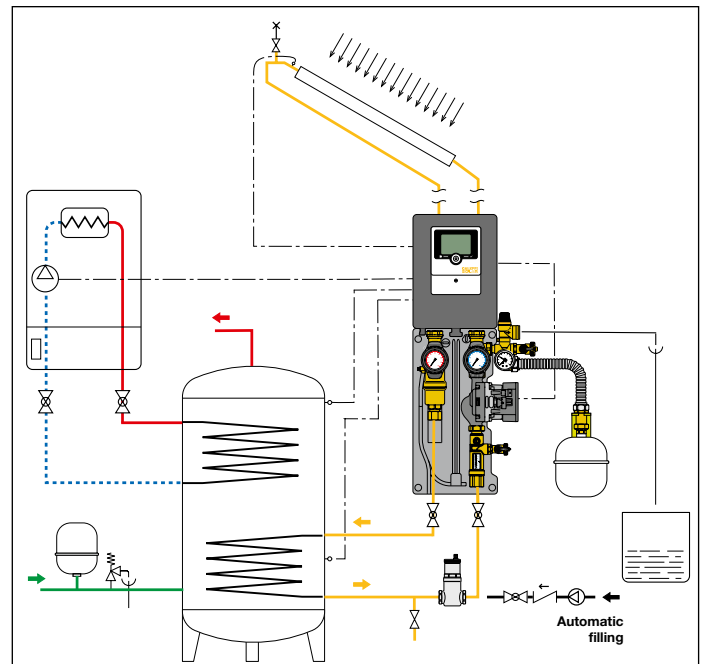
MEDIUM	water, glycol solutions
MAX. GLYCOL	50%
MAX. WORKING PRESSURE	10 bar
SAFETY RELIEF VALVE WORKING TEMP. RANGE	-30-160°C
SAFETY RELIEF VALVE SETTING	6 bar
FLOW METER WORKING TEMP. RANGE	-10-110°C
ELECTRIC SUPPLY	230 V (ac)
CONNECTIONS	3/4" F
CENTRE DISTANCE	100 mm

CHARACTERISTIC COMPONENTS



- 1) Grundfos Solar UPM3 15-75 circulation pump
- 2) Safety relief valve with adjustable outlet 253 series type
- 3) Fill/drain cock with control key
- 4) Pressure gauge
- 5) Flow meter
- 6) Deaerator with air vent
- 7) Flow temperature gauge
- 8) Return temperature gauge
- 9) Pre-formed shell insulation
- 10) Ball control knob and shut-off valve holder with built-in check valve
- 11) Connection kit for expansion vessel (optional)
- 12) Deltasol® SLL digital regulator
- 13) Insulating casing with protective panel
- 14) Temperature probe
- 15) Stainless steel probe pocket code 257004 (optional)
- 16) Hose garden

APPLICATION DIAGRAM



CALEFFI
Hydronic Solutions

0351916GB