



MOTORISED BALL ZONE VALVES FOR AIR CONDITIONING SYSTEMS

CALEFFI
Hydronic Solutions



FUNCTION - FEATURES

- Suitable for use in air conditioning systems, fitted with insulation as standard
- Can be opened and closed using the hand-operated lever on the actuator
- Can be installed vertically, horizontally and upside-down, thanks to the high protection class (IP 65)
- Short operating times (valve opening/closing)
- Thermal separation device to prevent condensation build-up within the actuator
- Operation with high pressure differentials, low head losses and no seepage

PRODUCT RANGE - 6452 - 6453 - 6459 SERIES

TWO-WAY BALL ZONE VALVE



CODE	CONNECTION
645242*	1/2"
645252*	3/4"
645262*	1"
645272*	1 1/4"
645244**	1/2"
645254**	3/4"
645264**	1"
645274**	1 1/4"

* electric supply 230 V (ac)
** electric supply 24 V (ac)

THREE-WAY BALL ZONE VALVE



CODE	CONNECTION
645342*	1/2"
645352*	3/4"
645362*	1"
645372*	1 1/4"
645344**	1/2"
645354**	3/4"
645364**	1"
645374**	1 1/4"

* electric supply 230 V (ac)
** electric supply 24 V (ac)

BY-PASS TEE



CODE	CONNECTION
645940	1/2"
645950	3/4"
645960	1"
645970	1 1/4"

INSULATION FOR 6452 + 6459 SERIES

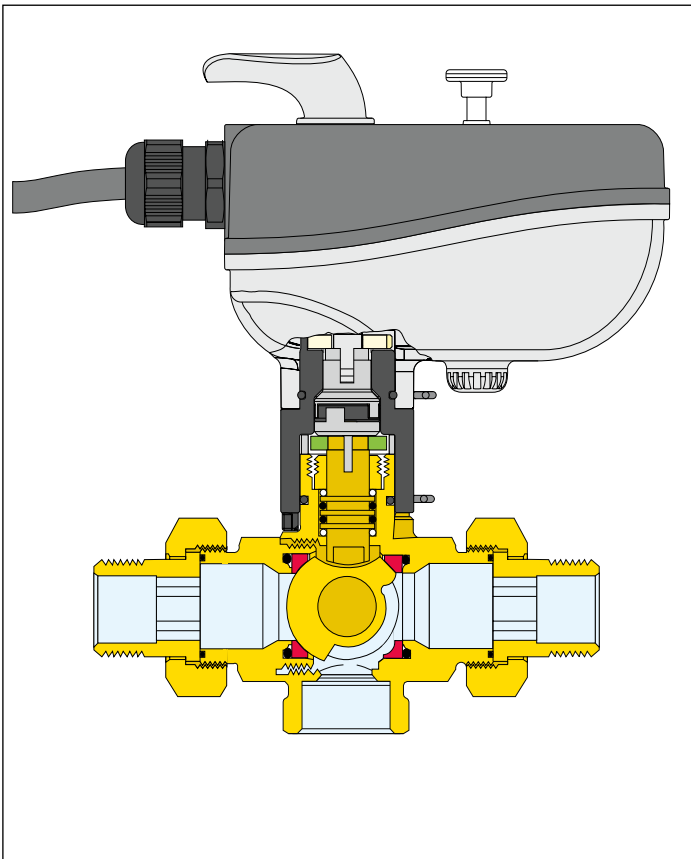


CODE	APPLICATION
645901	1/2" - 3/4"
645900	1" - 1 1/4"

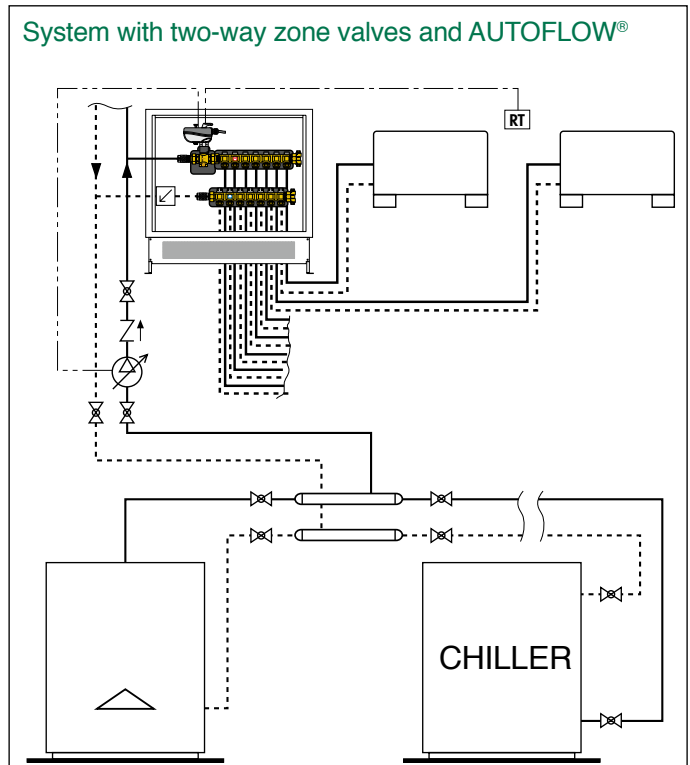
PERFORMANCE

MAX WORKING PRESSURE	10 bar
MAX. Δp	10 bar
WORKING TEMPERATURE RANGE	-10 – 110°C
ELECTRIC SUPPLY	230 V (ac) or 24 V (ac)
OPERATING TIME	50 s (90° rotation)
PROTECTION CLASS	IP 65

CROSS SECTION



APPLICATION DIAGRAM



REFERENCE DOCUMENTATION: BROCHURE 01199



CALEFFI
Hydronic Solutions

03503-12GB

WE RESERVE THE RIGHT TO CHANGE OUR PRODUCTS AND THEIR RELEVANT TECHNICAL DATA, CONTAINED IN THIS PUBLICATION, AT ANY TIME AND WITHOUT PRIOR NOTICE.

Caleffi S.p.A. S.R. 229 n. 25 · 28010 Fontaneto d'Agogna (NO) · Italy
Tel. +39 0322 8491 · Fax +39 0322 863723
info@caleffi.com · www.caleffi.com · © Copyright 2012 Caleffi