

www.caleffi.com

iStop[®] 108 SERIES

AND HEAT PUMPS
ARE PROTECTED



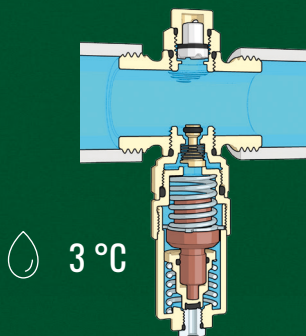
SPECIFIC FOR
**HEAT
PUMPS**
SUPPORTING ENERGY TRANSITION

CALEFFI
Hydronic Solutions

WHAT IS CALEFFI iStop®

The iStop® antifreeze valve protects heat pumps as well as the planet. It protects the system against the formation of ice without affecting performance or using antifreeze substances that harm the environment. Easy to install and maintain, it does not require an electric supply.

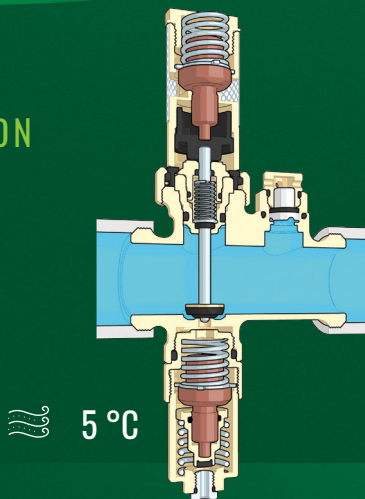
OPERATION



ANTIFREEZE VALVE

It is activated automatically when the temperature of the water in the pipe drops below 3 °C

It prevents ice from forming in the system circuit, thereby avoiding potential damage



ANTIFREEZE VALVE WITH AIR SENSOR

It prevents the antifreeze valve from being triggered when the outside temperature is over 5 °C

It is not activated when the heat pump is in cooling mode

ADVANTAGES OF iStop®



ECO-FRIENDLY

Eliminates the risks resulting from the use of glycol, which has the potential to harm the environment



ECONOMICAL

Reduces management and maintenance costs



EFFICIENT

Recommended by leading heat pump manufacturers as it protects the system and keeps it running efficiently

THE DISADVANTAGES OF GLYCOL

1

Increased pressure drops

2

Greater flow rate required

3

Lower heat exchange capacity



HIGHER CONSUMPTION

PRODUCT RANGE

108601

108701

108801

Antifreeze valve with threaded connections sizes DN 25 (1"), DN 32 (1 1/4") and DN 40 (1 1/2")



108611

108711

Antifreeze valve with air sensor, threaded connections sizes DN 25 (1"), DN 32 (1 1/4")



CALEFFI S.p.A.

S.R. 229, 25

28010 Fontaneto d'Agogna (NO)

Tel. +39 0322 8491

info@caleffi.com

www.caleffi.com

© 2023 Copyright Caleffi



CALEFFI
Hydronic Solutions