

Distribution manifolds with pre-formed insulation

series 650



Function

This manifold has been designed specifically for heating and air conditioning systems, for the distribution of hot or cold fluids. It is provided with pre-formed insulation, whose shape and dimensions prevent not only heat loss but also condensing on the metal surfaces.

The tight sealing of the insulation is an essential factor in preventing damp air from passing from the atmosphere to the surface of the manifold and forming condensation. For this reason, this solution is considerably more efficient than the traditional polyurethane foam. It is also simpler to check the hydraulic seals and carry out any maintenance work that may be required.

Technical specification:

Material: brass EN 12165 CW617N (cast)
Manifold connections: 1 1/4" F x 1 1/4" M
Branch connections: 3/4" Ø 18
Branch centre distance: 60 mm
Manifold internal diameter: Ø 36 mm

Hydraulic characteristics

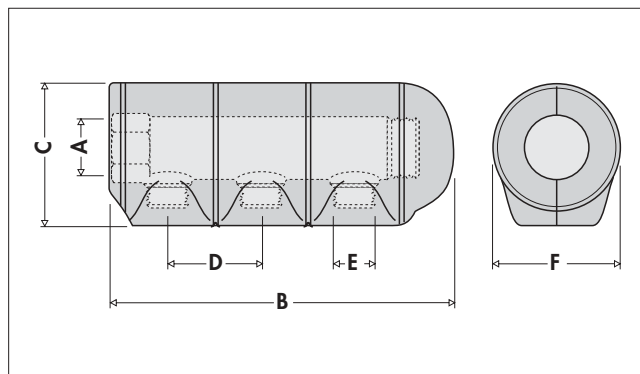
Localized loss factor ξ of inlet connections: 1,0
Localized loss factor ξ of branches: 3,0

Characteristics of insulation

Hot pre-formed insulation, can be sealed with glue (615500).

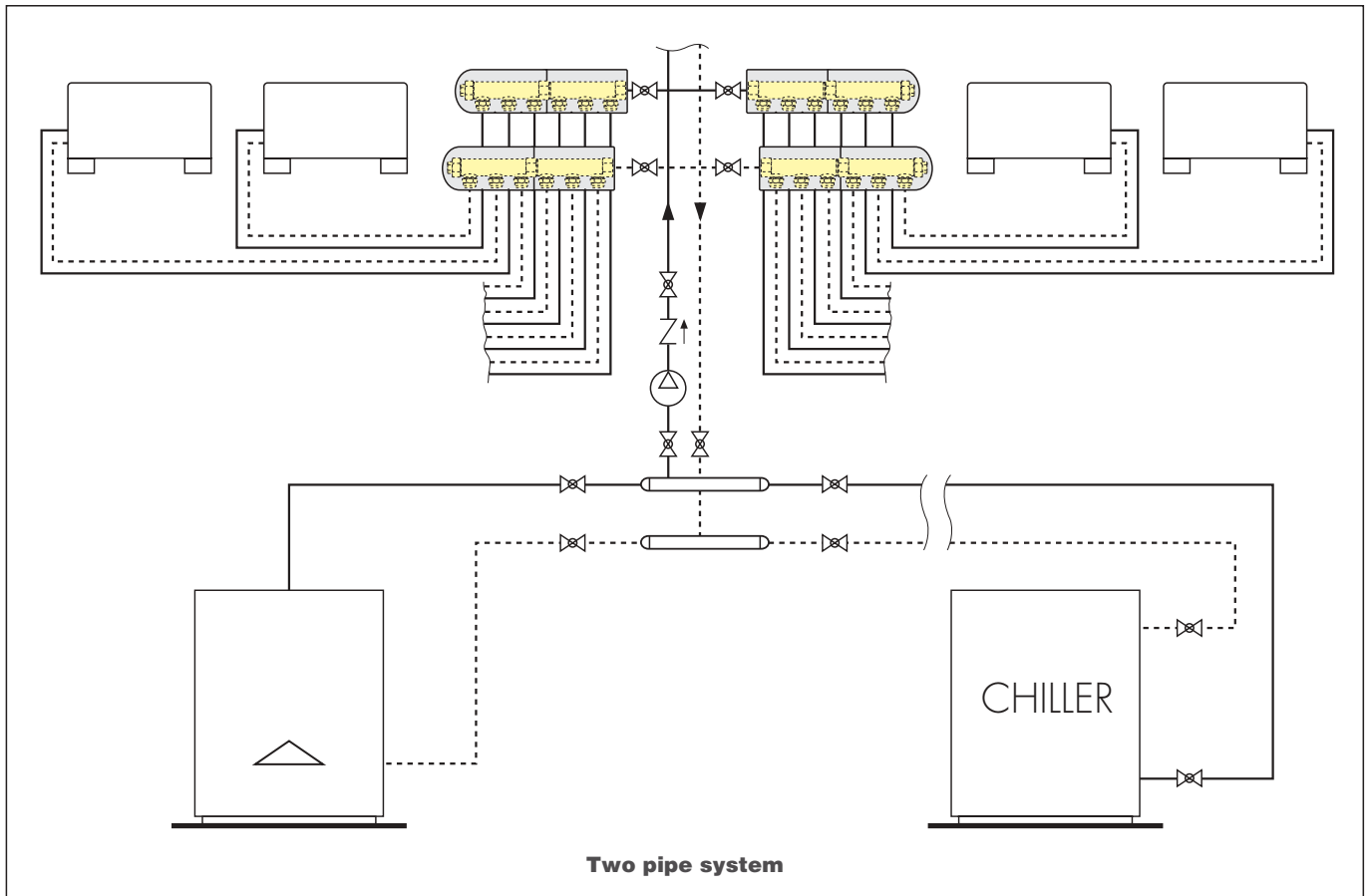
Material: cross-linked PE expanded
Thickness: 20 mm
Density: 33 kg/m³
Thermal conductivity (UNI 7745):
0°C 0,038 W/mK
40°C 0,045 W/mK
Steam diffusion resistance factor (DIN 52615): > 1300
Temperature range: - 40 ÷ 95°C
Fire resistance (D.M. 26/06/84): class 1

Dimensions



Code	A	Branches	B	C	D	E	F
650722	1 1/4"	2	180	100	60	3/4"	80
650732	1 1/4"	3	240	100	60	3/4"	80
650742	1 1/4"	4	300	100	60	3/4"	80

Application diagram

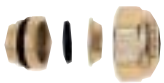


SPECIFICATION SUMMARIES

Manifold series 650

Single manifold in cast brass for heating and air conditioning systems. Manifold connections 1 1/4" F x 1 1/4" M. Number of branches 2 (or 3 or 4); connection 3/4" M Ø 18, centre distance 60 mm. Complete with heat-formed cross-linked PE expanded shell insulation.

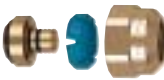
Accessories



347
Compression connection for copper pipe, with O-Ring seal.



5994/5995
Single end connection and with double radial connection.



680
Self-adjusting diameter fitting for plastic pipes, single and multi-layer.



392
Connection with thermometer.



5991/5993
Connection and end plug.



61550
Sealant for insulation.

We reserve the right to change our products and their relevant technical data, contained in this publication, at any time and without prior notice.

