

Couplings for polyethylene pipe



series DECA

01037/03 GB



Function

DECA couplings, which are supplied in brass for diameters up to 63 mm and in cast iron for larger sizes, are used for connecting polyethylene piping.

As proof of the high standard of quality, the threaded DECA connections (up to Ø 63) have DVGW and SVGW approval, which means that they are approved for use in Germany and Switzerland.



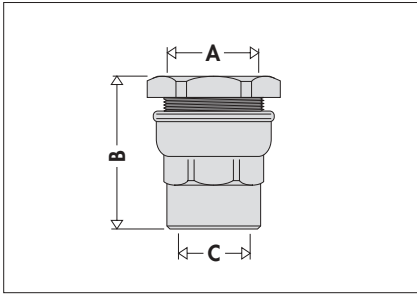
Product range

Series 860 Female coupling in brass	Sizes Ø 20x1/2", Ø 21x1/2", Ø 25x3/4", Ø 27x3/4", Ø 25x1", Ø 32x1", Ø 34x1", Ø 40x1 1/4", Ø 50x1 1/2", Ø 63x2"
Series 860 Female coupling in cast iron	Sizes Ø 75x2 1/2", Ø 90x3", Ø 110x4"
Series 861 Male coupling in brass	Sizes Ø 20x1/2", Ø 21x1/2", Ø 25x3/4", Ø 27x3/4", Ø 25x1", Ø 32x1", Ø 34x1", Ø 40x1 1/4", Ø 50x1 1/2", Ø 63x2"
Series 861 Male coupling in cast iron	Sizes Ø 75x2 1/2", Ø 90x3", Ø 110x4"
Series 862 Male reduced coupling in brass	Sizes Ø 20x3/8", Ø 25x1/2", Ø 32x3/4", Ø 40x1", Ø 50x1 1/4", Ø 63x1 1/2"
Series 863 Sleeve coupling in brass	Sizes Ø 20, Ø 21, Ø 25, Ø 27, Ø 32, Ø 34, Ø 40, Ø 50, Ø 63
Series 863 Sleeve coupling in cast iron	Sizes Ø 75, Ø 90, Ø 110, Ø 125
Series 864 Tee coupling in brass	Sizes Ø 20, Ø 21, Ø 25, Ø 27, Ø 32, Ø 34, Ø 40, Ø 50, Ø 63
Series 865 Reduced male-female tee coupling, in brass	Sizes Ø 20x1/2"Mx3/8"F, Ø 25x3/4"Mx1/2"F, Ø 32x1"Mx3/4"F, Ø 40x1 1/4"Mx1"F, Ø 50x1 1/2"Mx1 1/4"F, Ø 63x2"Mx1 1/2"F
Series 866 Elbow coupling in brass	Sizes Ø 20, Ø 25, Ø 32, Ø 40, Ø 50, Ø 63
Series 867 Male elbow coupling in brass	Sizes Ø 20x1/2", Ø 25x3/4", Ø 32x1", Ø 40x1 1/4", Ø 50x1 1/2", Ø 63x2"
Series 868 Female elbow coupling in brass	Sizes Ø 20x1/2", Ø 25x3/4", Ø 32x1", Ø 40x1 1/4", Ø 50x1 1/2", Ø 63x2"
Series 869 Female elbow coupling with wall fixing in brass	Sizes Ø 20x1/2", Ø 25x1/2", Ø 25x3/4"
Series 870 Sleeve coupling for repairs	Sizes Ø 25, Ø 32, Ø 40, Ø 50
Series 871 Female coupling with ball valve	Sizes Ø 25x1/2", Ø 32x3/4"
Series 875 Female reduced coupling in brass	Sizes Ø 25x1/2", Ø 32x3/4", Ø 40x1"
Series 876 Female union coupling in brass	Sizes Ø 25x1/2", Ø 32x3/4", Ø 40x1"
Series 888 Flanged coupling PN 10 in cast iron	Sizes Ø 75xDN 65, Ø 90xDN 80, Ø 110xDN100, Ø 125xDN 100

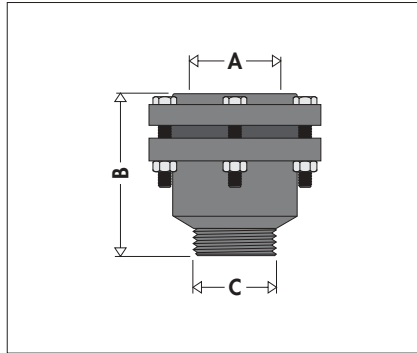
Technical specification

	Brass couplings	Cast iron coupling
Materials Body: Lock nut: Seal: Bolts and nuts:	Brass EN 12165 CW617N Brass EN 12165 CW617N NBR //	GG 25 GG 25 NBR Stainless steel
Performance Max working pressure: Max working temperature: Medium:	16 bar 40°C Water	10 bar 40°C Water
Connections:	See product range	See product range

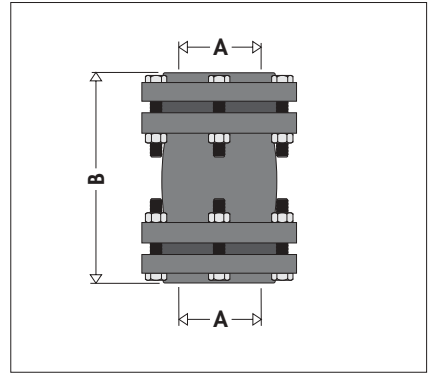
Dimensions



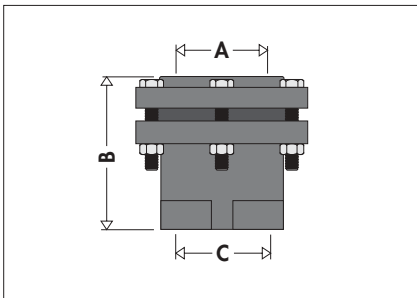
Code	A	B	C
860420	∅ 20	47,5	1/2"
860421	∅ 21	47,5	1/2"
860525	∅ 25	49,5	3/4"
860527	∅ 27	49,5	3/4"
860625	∅ 25	56	1"
860632	∅ 32	56	1"
860634	∅ 34	56	1"
860740	∅ 40	64,5	1 1/4"
860850	∅ 50	66,5	1 1/2"
860963	∅ 63	74,5	2"



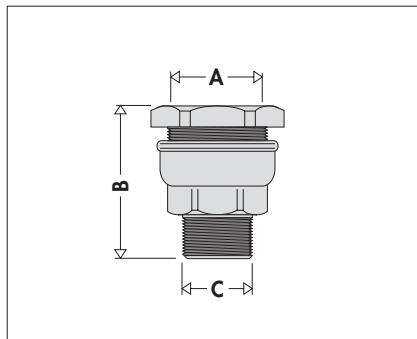
Code	A	B	C
861075	∅ 75	130	2 1/2"
861090	∅ 90	130	3"
861110	∅ 110	140	4"



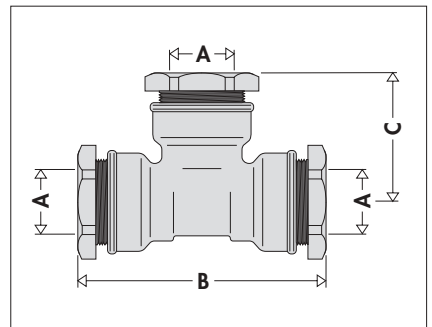
Code	A	B
863075	∅ 75	180
863090	∅ 90	180
863110	∅ 110	190
863125	∅ 125	205



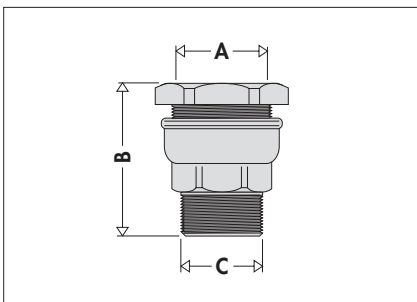
Code	A	B	C
860075	∅ 75	120	2 1/2"
860090	∅ 90	120	3"
860110	∅ 110	125	4"



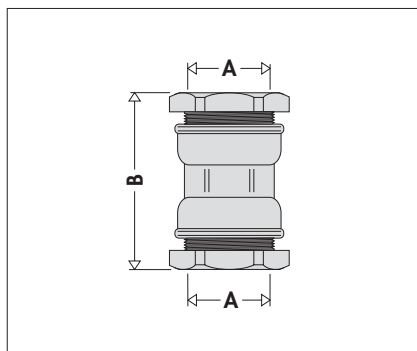
Code	A	B	C
862320	∅ 20	47	3/8"
862425	∅ 25	51,5	1/2"
862532	∅ 32	56,5	3/4"
862640	∅ 40	67	1"
862750	∅ 50	72	1 1/4"
862863	∅ 63	75,5	1 1/2"



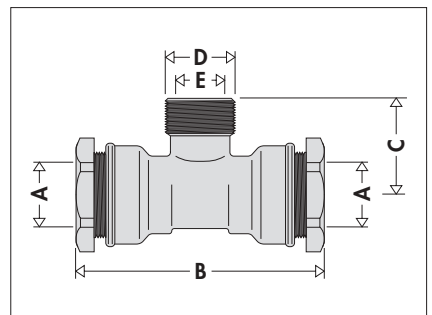
Code	A	B	C
864420	∅ 20	87	46
864421	∅ 21	87	46
864525	∅ 25	93	49
864627	∅ 27	93	49
864632	∅ 32	108	56,5
864634	∅ 34	108	56,5
864740	∅ 40	129	66,5
864850	∅ 50	145	75
864963	∅ 63	155	84



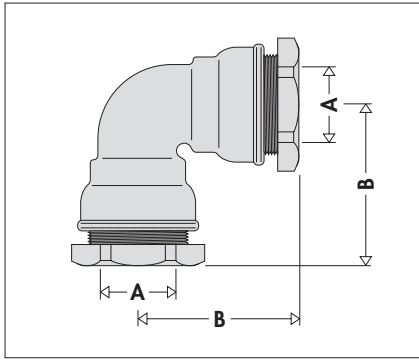
Code	A	B	C
861420	∅ 20	50,5	1/2"
861421	∅ 21	46	1/2"
861525	∅ 25	53	3/4"
861527	∅ 27	49	3/4"
861625	∅ 25	59,5	1"
861632	∅ 32	59,5	1"
861634	∅ 34	55	1"
861740	∅ 40	69	1 1/4"
861850	∅ 50	72,5	1 1/2"
861963	∅ 63	79,5	2"



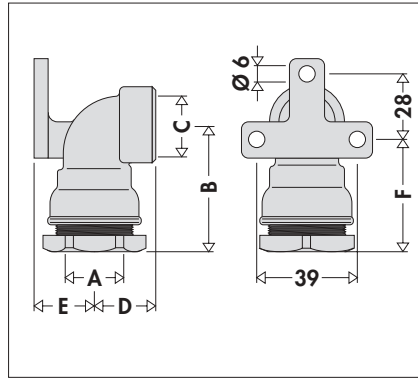
Code	A	B
863020	∅ 20	66,5
863021	∅ 21	66,5
863025	∅ 25	68,5
863027	∅ 27	68,5
863032	∅ 32	76,5
863034	∅ 34	76,5
863040	∅ 40	89
863050	∅ 50	95
863063	∅ 63	101,5



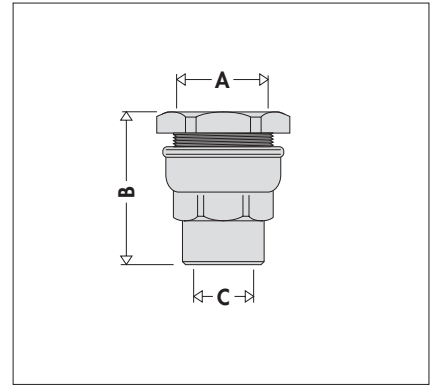
Code	A	B	C	D	E
865020	∅ 20	87	31,5	1/2"	3/8"
865025	∅ 25	93	37	3/4"	1/2"
865032	∅ 32	108	41	1"	3/4"
865040	∅ 40	129	49	1 1/4"	1"
865050	∅ 50	145	56	1 1/2"	1 1/4"
865063	∅ 63	155	68	2"	1 1/2"



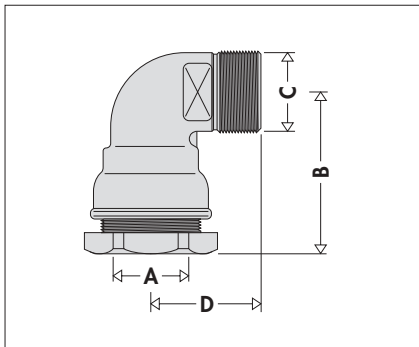
Code	A	B
866020	Ø 20	48,5
866025	Ø 25	53,5
866032	Ø 32	60,5
866040	Ø 40	73,5
866050	Ø 50	80,5
866063	Ø 63	91,5



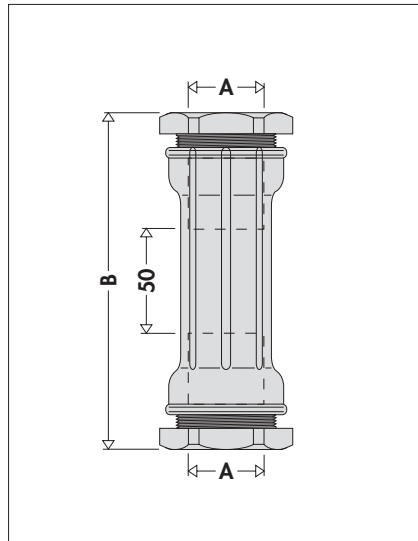
Code	A	B	C	D	E	F
869420	Ø 20	48,5	1/2"	25	20	41,5
869425	Ø 25	53,5	1/2"	26	25	46,5
869525	Ø 25	53,5	3/4"	26	25	46,5



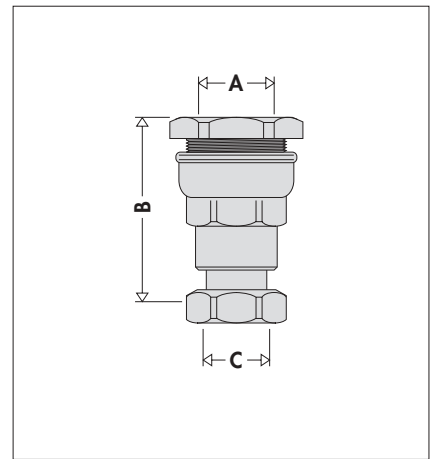
Code	A	B	C
875425	Ø 25	49	1/2"
875532	Ø 32	55	3/4"
875640	Ø 40	66	1"



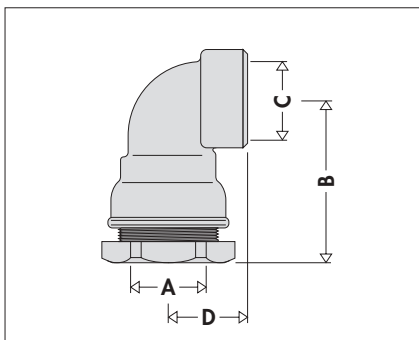
Code	A	B	C	D
867020	Ø 20	37	1/2"	30,5
867025	Ø 25	42	3/4"	37,5
867032	Ø 32	48	1"	43
867040	Ø 40	58	1 1/4"	51,5
867050	Ø 50	64	1 1/2"	57
867063	Ø 63	74	2"	69,5



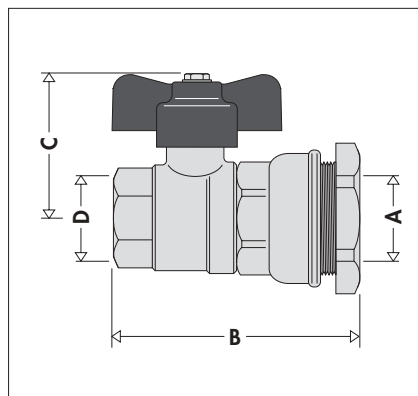
Code	A	B
870025	Ø 25	125
870032	Ø 32	127
870040	Ø 40	138
870050	Ø 50	143



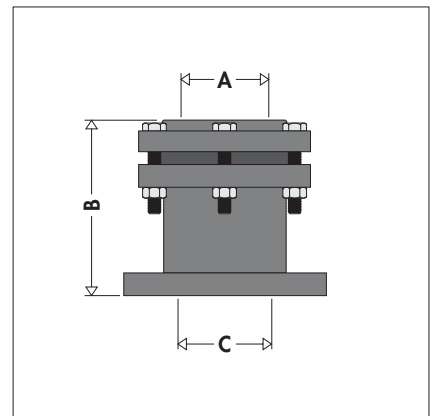
Code	A	B	C
876520	Ø 20	59,5	3/4"
876525	Ø 25	61	3/4"
876625	Ø 25	64,5	1"
876632	Ø 32	70	1"



Code	A	B	C	D
868020	Ø 20	48,5	1/2"	26,5
868025	Ø 25	53,5	3/4"	28
868032	Ø 32	60,5	1"	32
868040	Ø 40	73,5	1 1/4"	38
868050	Ø 50	80,5	1 1/2"	42,5
868063	Ø 63	91,5	2"	67



Code	A	B	C	D
871425	Ø 25	73	49	1/2"
871532	Ø 32	79	52	3/4"

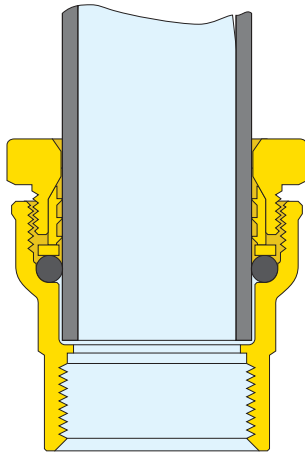


Code	A	B	C
888075	Ø 75	145	DN 65
888090	Ø 90	135	DN 80
888110	Ø 110	135	DN 100
888125	Ø 125	135	DN 100

Constructional details

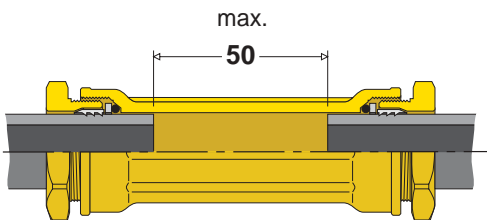
Ease of use

DECA series polyethylene pipe couplings are extremely practical, as they do not have to be taken apart when connecting to the piping (see example at foot of page).



Repair joints

Series 870 sleeve coupling allows piping connections to be made with a maximum space between ends of 50 mm. Thanks to the absence of internal edges, the pipe can slide freely.

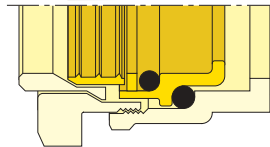
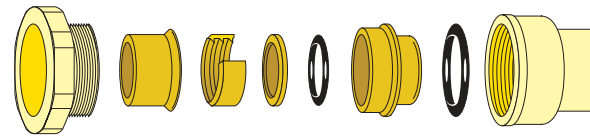


Strength

Caleffi DECA couplings are not affected by frost, as any deformations are absorbed by the pipe itself. In addition, in the case of ground movement or excessive loads in the connection area, there is no risk of breakage or disconnection.

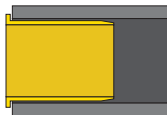
Accessories

Series 886 reducer



Code	
886022	from Ø 25 to Ø 20
886032	from Ø 32 to Ø 25
886043	from Ø 40 to Ø 32
886054	from Ø 50 to Ø 40
886065	from Ø 63 to Ø 50

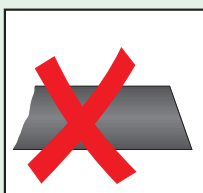
Series 887 pipe stiffener



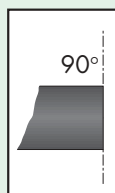
Series PN 10	887120	Ø 20 x 2
	887223	Ø 25 x 2,3
	887330	Ø 32 x 3
	887437	Ø 40 x 3,7
	887546	Ø 50 x 4,6
	887658	Ø 63 x 5,8

For REHAU pipes	887128	Ø 20 x 2,8
	887235	Ø 25 x 3,5

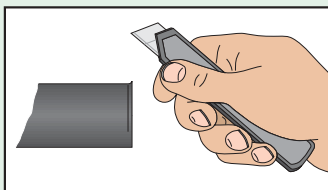
Preparation of the pipe



Do not cut at an angle

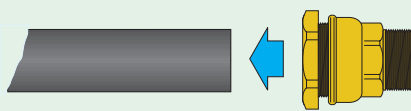


Cut at 90°



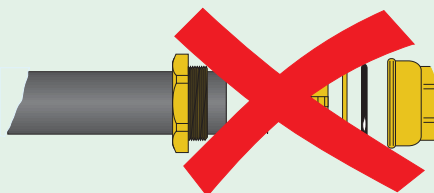
Remove any external burrs

Instructions for the correct assembly of couplings



do

Insert the pipe into the coupling with the nut slackened.



do not

Dismantle the coupling and slide the various components onto the pipe.

SPECIFICATION SUMMARIES

Series 860

Female coupling for polyethylene pipe. Connections $\varnothing 20 \times 1/2"$ F (from $\varnothing 20 \times 1/2"$ F to $\varnothing 63 \times 2"$ F). Brass body. NBR O-Ring seal. Maximum working pressure 16 bar. Maximum working temperature 40°C. For use with water.

Series 860

Female coupling for polyethylene pipe. Connections $\varnothing 75 \times 2 1/2"$ F (from $\varnothing 75 \times 2 1/2"$ F to $\varnothing 110 \times 4"$ F). Body in GG 25 cast iron. Polyacetal resin ring. NBR seal. Stainless steel bolts and nuts. Maximum working pressure 10 bar. Maximum working temperature 40°C. For use with water.

Series 861

Male coupling for polyethylene pipe. Connections $\varnothing 20 \times 1/2"$ M (from $\varnothing 20 \times 1/2"$ M to $\varnothing 63 \times 2"$ M). Brass body. NBR O-Ring seal. Maximum working pressure 16 bar. Maximum working temperature 40°C. For use with water.

Series 861

Male coupling for polyethylene pipe. Connections $\varnothing 75 \times 2 1/2"$ M (from $\varnothing 75 \times 2 1/2"$ M to $\varnothing 110 \times 4"$ M). Body in GG 25 cast iron. Polyacetal resin ring. NBR seal. Stainless steel bolts and nuts. Maximum working pressure 10 bar. Maximum working temperature 40°C. For use with water.

Series 862

Male reduced coupling for polyethylene pipe. Connections $\varnothing 20 \times 3/8"$ M (from $\varnothing 20 \times 3/8"$ M to $\varnothing 63 \times 1 1/2"$ M). Brass body. NBR O-Ring seal. Maximum working pressure 16 bar. Maximum working temperature 40°C. For use with water.

Series 863

Sleeve coupling for polyethylene pipe. Connections $\varnothing 20$ (from $\varnothing 20$ to $\varnothing 63$). Brass body. NBR O-Ring seal. Maximum working pressure 16 bar. Maximum working temperature 40°C. For use with water.

Series 863

Sleeve coupling for polyethylene pipe. Connections $\varnothing 75$ (from $\varnothing 75$ to $\varnothing 125$). Body in GG 25 cast iron. Polyacetal resin ring. NBR seal. Stainless steel bolts and nuts. Maximum working pressure 10 bar. Maximum working temperature 40°C. For use with water.

Series 864

Tee coupling for polyethylene pipe. Connections $\varnothing 20$ (from $\varnothing 20$ to $\varnothing 63$). Brass body. NBR O-Ring seal. Maximum working pressure 16 bar. Maximum working temperature 40°C. For use with water.

Series 865

Reduced male-female tee coupling, for polyethylene pipe. Connections $\varnothing 20 \times 1/2"$ M $\times 3/8"$ F (from $\varnothing 20 \times 1/2"$ M $\times 3/8"$ F to $\varnothing 63 \times 2"$ M $\times 1 1/2"$ F). Brass body. NBR O-Ring seal. Maximum working pressure 16 bar. Maximum working temperature 40°C. For use with water.

Series 866

Elbow coupling for polyethylene pipe. Connections $\varnothing 20$ (from $\varnothing 20$ to $\varnothing 63$). Brass body. NBR O-Ring seal. Maximum working pressure 16 bar. Maximum working temperature 40°C. For use with water.

Series 867

Male elbow coupling for polyethylene pipe. Connections $\varnothing 20 \times 1/2"$ M (from $\varnothing 20 \times 1/2"$ M to $\varnothing 63 \times 2"$ M). Brass body. NBR O-Ring seal. Maximum working pressure 16 bar. Maximum working temperature 40°C. For use with water.

SPECIFICATION SUMMARIES

Series 868

Female elbow coupling for polyethylene pipe. Connections Ø 20 x 1/2" F (from Ø 20 x 1/2" F to Ø 63 x 2" F). Brass body. NBR O-Ring seal. Maximum working pressure 16 bar. Maximum working temperature 40°C. For use with water.

Series 869

Female elbow coupling, with wall fixing, for polyethylene pipe. Connections Ø 20 x 1/2" F (from Ø 20 x 1/2" F to Ø 25 x 3/4" F). Brass body. NBR O-Ring seal. Maximum working pressure 16 bar. Maximum working temperature 40°C. For use with water.

Series 870

Sleeve coupling, for repairs, for polyethylene pipe. Connections Ø 25 (from Ø 25 to Ø 50). Brass body. NBR O-Ring seal. Maximum working pressure 16 bar. Maximum working temperature 40°C. Maximum space between the ends of the pipes to be joined 50 mm. For use with water.

Series 871

Female coupling with ball valve, for polyethylene pipe. Connections Ø 25 x 1/2" F (Ø 25 x 1/2" F and Ø 32 x 3/4" F). Brass body. NBR O-Ring seal. Maximum working pressure 16 bar. Maximum working temperature 40°C. For use with water.

Series 875

Female reduced coupling for polyethylene pipe. Connections Ø 25 x 1/2" F (from Ø 25 x 1/2" F to Ø 40 x 1" F). Brass body. NBR O-Ring seal. Maximum working pressure 16 bar. Maximum working temperature 40°C. For use with water.

Series 876

Female union coupling for polyethylene pipe. Connections Ø 20 x 3/4" F (from Ø 20 x 3/4" F to Ø 32 x 1" F). Brass body. NBR O-Ring seal. Maximum working pressure 16 bar. Maximum working temperature 40°C. For use with water.

Series 888

Flanged coupling PN 10 for polyethylene pipe. Connections Ø 75 x DN 65 (from Ø 75 x DN 65 to Ø 125 x DN 125). Body in GG 25 cast iron. Polyacetal resin ring. NBR seal. Stainless steel bolts and nuts. Maximum working pressure 10 bar. Maximum working temperature 40°C. For use with water.

Series 886

Coupling reducer for polyethylene pipe from Ø 25 to Ø 20 (available: reducers from Ø 25 to Ø 20 up to Ø 63 to Ø 50).

We reserve the right to change our products and their relevant technical data, contained in this publication, at any time and without prior notice.

