

PLUMBVENT™

Low-lead automatic air vent



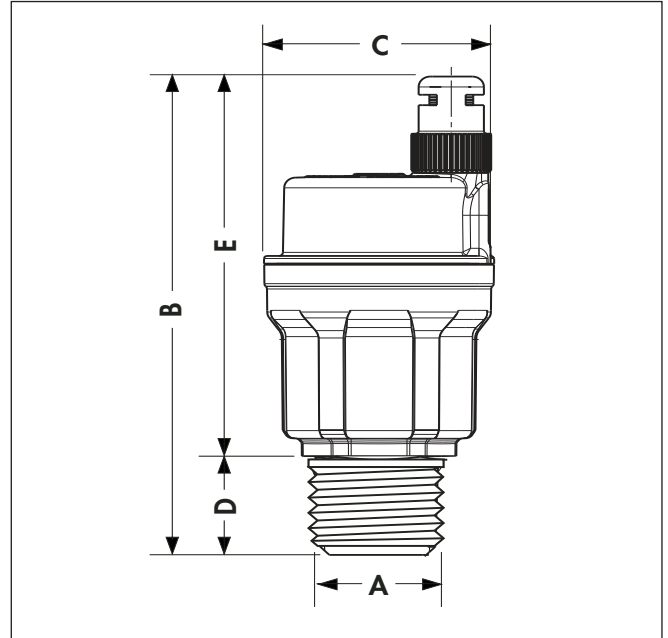
NA502640A

Submittal Data 03701 NA — Issue Date 072018

Application

Float type automatic air vent designed to vent air from water at high points in plumbing system piping. Example applications include risers, domestic hot water storage tanks and recirculation system pump inlets.

Dimensions



Typical Specification

Furnish and install on the plans described herein, a Caleffi PLUMBVENT™ automatic air vent as manufactured by Caleffi. Each air vent must be designed with a DZR low-lead brass body and cover. Each air vent must include a Moplen EP548S float and peroxide-cured EPDM seals. Provided with integral hygroscopic (anti-drip) safety cap. Each air vent shall be Caleffi model NA502640A or approved equal. (See product instructions for specific installation information.)

Technical specifications

Materials

- Body & cover: DZR low-lead brass (<0.25% Lead content)
- Float: Moplen EP548S
- Seals: peroxide-cured EPDM

Code	A	B	C	D	E	Wt (lb)
NA502640A	1/2" MNPT	3 5/8"	1 9/16"	3/4"	2 7/8"	0.6

Performance

- Max. working pressure: 150 psi (10 bar)
- Max. discharge pressure: 90 psi (6 bar)
- Max. discharge flow rate: 1.75x10⁻⁹ scfm (50 NI/m)
- Max. working temperature: 240°F (115°C)

Connections

- NPT male: 1/2"

Certifications

NSF/ANSI 372-2011, Drinking Water System Components Lead Content Reduction of Lead in Drinking Water Act, California Health and Safety Code 116875 S.3874 (AB1953), Reduction of Lead in Drinking Water Act and Vermont S152, certified by ICC-ES, file PMG-1360.

We reserve the right to change our products and their relevant technical data, contained in this publication, at any time and without prior notice. Contractors should request production drawings if prefabricating the system

Job name _____	Size _____
Job location _____	Quantity _____
Engineer _____	Approval _____
Mechanical contractor _____	Service _____
Contractor's P.O. No. _____	Tag No. _____
Representative _____	Notes _____