

LEGIOMIX® Electronic mixing valve, ANSI 150 Flanged



6000 series

Submittal Data 03603 NA — Issue Date 01/2021

Application

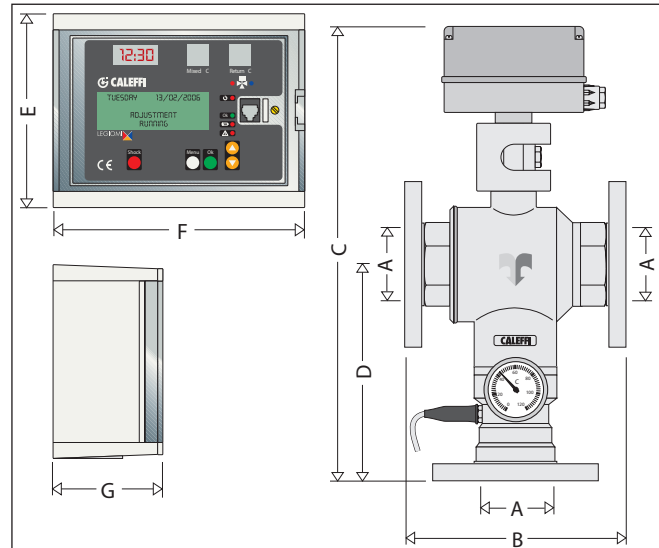
The electronic mixing valve is used in centralized systems that produce and distribute domestic hot water. It maintains the temperature of the domestic hot water delivered to the user when there are variations in the temperature and pressure of the hot and cold water at the inlet or in the draw-off flow rate. The LEGIOMIX® electronic mixing valve provides precise temperature control over very low and very high flow rate demand, minimal pressure drop with a ball valve control element, automatic self-cleaning to prevent scale formation and easy-to-use digital interface with data logging, alarming and status indication. The LEGIOMIX electronic mixing valve is furnished with a controller with LCD user interface that provides a set of programs for circuit thermal disinfection to kill Legionella. The controller is configurable via keypad, or local or remote computer. Depending on the type of system and habits of the user, temperature levels and operation times can be programmed as desired. In addition, it comes standard with monitoring and remote control connections.



Typical Specification

Furnish and install on the plans and described herein, a Caleffi 6000 series LEGIOMIX electronic mixing valve as manufactured by Caleffi. Each valve with controller must be designed with programmable thermal disinfection. The valve design must include a DZR low-lead brass body, chrome-plated low-lead brass ball and peroxide-cured EPDM hydraulic seals. Flanges shall be galvanized cast iron slip-on style, ANSI B16.5 150 CLASS RF. The actuator must be 3-wire floating fail-in-place with integral position indicator, 24 VAC 50/60 Hz with self-extinguishing VO cover, protection class IP 65 (NEMA 4/4X). The controller must be 24 VAC 50/60 Hz with adjustment temperature range 70 - 185°F (20 - 85°C) and disinfection temperature range 100 - 185°F (40 - 85°C). Provided with two NTC element 10,000 ohm stainless steel temperature sensors for mixed outlet water temperature and return water temperature, strap-on style, for recirculation; and 24 VAC transformer. Choice of 11 languages with set of programs for selectable automatic scheduling circuit thermal disinfection to kill Legionella, configurable via keypad, or local or remote controller; with additional functions of daily ball rotation cycle, flush valve relay output, data logging (40 day FIFO loop buffer), alarming, and status indication. Provide with Modbus-to-BACnet gateway for BAS integration, code 755052. The valve must be ICC-ES certified to ASSE 1017, CSA B15.3, NSF 372-2011, low lead laws and listed by ICC-ES; and meet codes IPC and UPC for use in accordance with the US and Canadian plumbing codes. Meets the requirement of CSA Z317.1 Special Requirement for Plumbing Installations in Health Care Facilities, certified by ICC-ES. Each valve shall be Caleffi model 6000 series or approved equal. (See product instructions for specific installation information.)

Dimensions



Code	A	B	C	D	E	F	G	Wt (lb)
600060A	2½" FLG	9 ¼"	23 11/16"	10 13/16"	5½"	7"	4"	30
600080A	3" FLG	9 ¼"	23 11/16"	10 13/16"	5½"	7"	4"	42

Recommended Flow rates (gpm/lpm)

Size	2½"	3"
Minimum (1)	17.0 / 64	22.0 / 83.3
Design Flow (2)	288 / 1,090	329 / 1,245
Maximum (3)	470 / 1,780	537 / 2,033
Cv	105	120

- (1) To ensure stable operation and a ± 3° F accurate temperature control Minimum flow rate is 0 gpm when recirculation flow rate is greater than or equal to the valve size minimum flow rating.
- (2) Suggested maximum flow rate for optimum modulating control (at 7.5 psid pressure drop).
- (3) Maximum recommended differential pressure is 20 psid to ensure stable operation and accurate temperature control.

CONSULT TECHNICAL BROCHURE 1086 FOR COMPLETE GUIDANCE ON SIZING AND SELECTION.

Technical specifications

Valve body

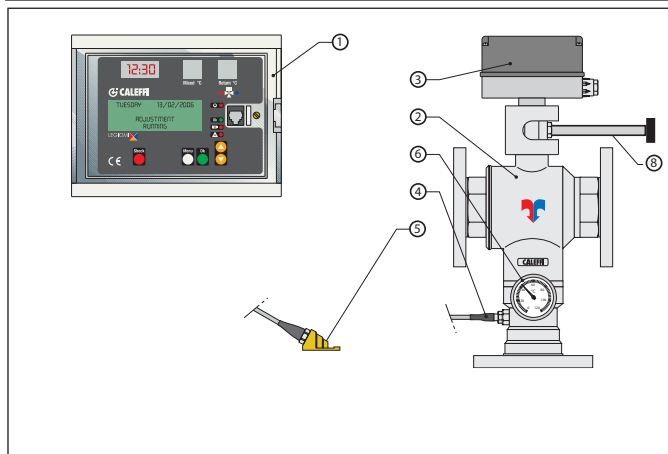
Materials:	- Body: DZR low-lead brass	Protection class:	IP 54 (wall mounting) (Class II appliance)
	- Ball: 316 stainless steel		
	- Slip-on flanges for sizes 2½" & 3": galvanized carbon steel	Mounting bracket:	DIN rail
	- Hydraulic seals: peroxide-cured EPDM	Contact rating (R1, R3, R4):	5 A resistance, 2 A inductance / 24 V
	- Ball seats: PTFE	Mixing valve control:	5 A resistance, 2 A inductance / 24 V
Max. body pressure rating (static):	230 psi (16 bar)	Alarm relay (R2):	5 A resistance, 2 A inductance / 24 V
Max. operating pressure:	150 psi (10 bar)	Fuses:	1 (main): 80 mA
Max. inlet temperature:	212°F (100°C)	Fuses:	2 (mixing valve): 1 A
Temperature gauge scale:	30 - 210°F	Charge reserve:	15 days in the event of electric supply failure, with a 3 cell rechargeable 3.6 V 140 mAh buffer battery
Suitable fluids:	water	Battery recharging time:	72 hours
Max. water hardness:	10 grains	Approvals:	CE, FCC part 15
Main connections: -ANSI B16.5 150 CLASS RF	2½" & 3"		

Actuator, 3-wire floating fail-in-place

Electric supply:	24 VAC - 50/60 Hz	Temperature sensors	
Power consumption:	6 VA	Body material:	stainless steel
Protection cover:	self-extinguishing VO	Type of sensitive element:	NTC
Protection class:	IP 65 (NEMA 4/4X)	Working temperature range:	14 - 260°F (-10 - 125°C)
Ambient temperature range:	14 - 130°F (-10 - 55°C)	Resistance:	1000 Ohms at 77° F (25° C)
Electric supply cable length:	31½" (0.8 m)	Time constant:	2.5
Max. distance for control signal wire:		Max. distance for mixed outlet or return (recirculation) sensor:	
	500 ft (150 m) cable 2 conductor x AWG 18		500 ft (150 m) cable 2 conductor x AWG 18
	800 ft (250 m) cable 2 conductor x AWG 16		800 ft (250 m) cable 2 conductor x AWG 16

Controller, LCD user interface/display

Materials:	- Housing: self-extinguishing ABS, color white RAL 1467	Mixing valve performance	
	- Cover: self-extinguishing SAN, smoked transparent	Accuracy:	± 3° F (± 2° C)
Electric supply:	24 VAC (min 21.6, max 26.0 VAC)- 50/60 Hz (50 VA Class 2 24 VAC transformer is included)	Max. operating differential pressure (dynamic):	20 psi (1.4 bar)
Power consumption:	6.5 VA	Max. ratio between inlet pressures (H/C or C/H):	2.1
Adjustment temperature range:	70 - 185°F (20 - 85°C)	Certifications	
Disinfection temperature range:	100 - 185°F (40 - 85°C)	1. ASSE 1017/CSA B125.3, certified by ICC-ES, file PMG-135	
Ambient temperature range:	32 - 120°F (0 - 50°C)	2. Meets the requirement of CSA Z317.1 Special Requirement f Plumbing Installations in Health Care Facilities, certified by ICC-ES, file PMG-1357.	
		3. Complies with NSF/ANSI 372, Drinking Water System Components Lead Content Reduction of Lead in Drinking Water Act, California Health and Safety Code 116875S.3874, Reduction of Lead in Drinking Water Act, as certified by ICC-ES, file PMG-1360.	



1. LEGIOMIX digital controller
2. Mixing valve
3. Mixing valve 24V 3-wire actuator
4. Mixed outlet water temperature sensor
5. Return water (recirculation) temperature strap-on sensor
6. Mixed outlet water temperature gauge
8. Removable operating lever

Package contents

- Digital controller, consisting of housing and base for electric connection
- DIN bar and mounting wall anchors
- Mixing valve with temperature gauge
- 24 VAC 3-wire floating Actuator
- Mixed outlet water temperature sensor
- Return water temperature strap-on sensor
- Spare fuses
- Installation and commissioning manual
- 24 VAC transformer

We reserve the right to change our products and their relevant technical data, contained in this publication, at any time and without prior notice. Contractors should request production drawings if prefabricating the system.

Job name	_____	Size	_____
Job location	_____	Quantity	_____
Engineer	_____	Approval	_____
Mechanical contractor	_____	Service	_____
Contractor's P.O. No.	_____	Tag No.	_____
Representative	_____	Notes	_____