

# Tridicator dual pressure/temperature gauge

NA503040



Submittal Data - 02929 NA - Issue Date 4/2020



## Product range

NA503040 Tridicator dual pressure/temperature gauge, 3" with back connection, 60°F to 320°F, 0 psi to 75 psi, 1/4" NPT male rear probe, for direct fluid stream submersion

## Technical specifications

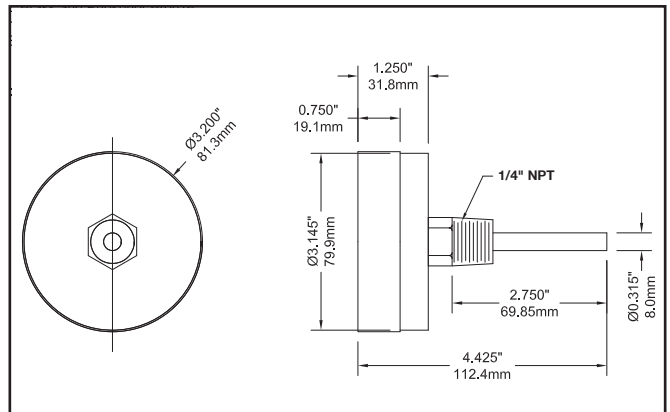
### Materials

Case:	steel, painted black
Bezel:	polished stainless steel
Lens:	glass
Dial:	aluminum
Tube:	phosphor bronze
Socket:	brass
Welding:	silver alloy

### Performance

Temperature range:	60°F to 320°F (15°C to 160°C)
Pressure range:	0 psi to 75 psi (0 ft to 173 ft)
Enclosure rating:	IP50

## Dimensions



We reserve the right to change our products and their relevant technical data, contained in this publication, at any time and without prior notice.



Caleffi North America, Inc.  
3883 W. Milwaukee Road  
Milwaukee, WI 53208  
Tel: 414-238-2360 · Fax: 414-238-2366  
sales@caleffi.com · www.caleffi.com  
© Copyright 2020 Caleffi North America, Inc.