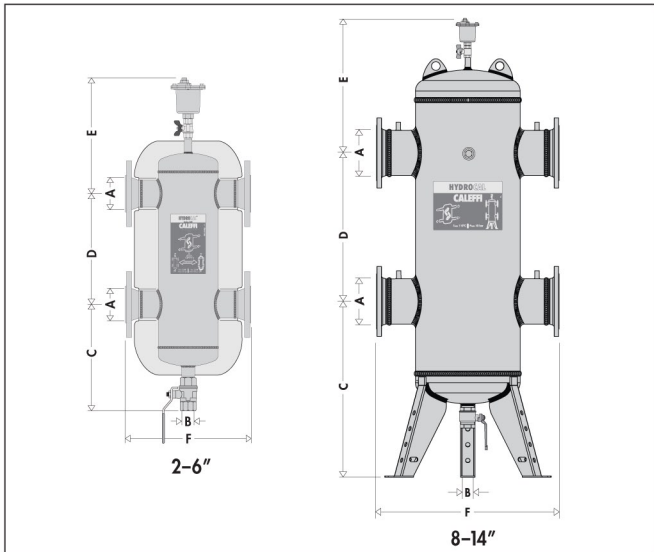


Dimensions



Code	A	B	C	D	E	F	Wt. (lbs.)	Flow (gpm)	Vol (gal.)
NA549052A*	2"	1¼"	13"	13"	13½"	14"	73	60	4.0
NA549062A*	2½"	1¼"	13"	13"	13½"	14"	79	80	4.0
NA549082A*	3"	1¼"	15"	17¾"	15¼"	18"	108	124	8.0
NA549102A*	4"	1¼"	15"	17¾"	15½"	18"	117	247	8.0
NA549120A	5"	1¼"	23⅙"	22"	18⅙"	25"	190	300	23.2
NA549150A	6"	1¼"	23⅙"	22"	18⅙"	25"	231	484	23.2
NA549200A	8"	2"	36"	39⅝"	25⅝"	35½"	520	792	95.0
NA549250A	10"	2"	38⅝"	43⅝"	27⅝"	41¾"	730	1,030	175
NA549300A	12"	2"	37⅞"	47¼"	29⅞"	46½"	1,100	1,650	255
NA549350A	14"	2"	38⅙"	58⅞"	34½"	52"	1,540	2,500	450

*With insulation.

ASME tagged and registered with the National Board of Boiler and Pressure Vessel Inspectors