

AngleMix™ Thermostatic mixing valve

© Copyright 2018 Caleffi

520 Series

Function



The Caleffi AngleMix™ 520 series thermostatic mixing valve is used in systems producing domestic hot water and easily mounts to the top of water heaters. The mixed temperature outlet is inline with the hot water inlet, facilitating trouble-free connection and reducing space required for installation. The AngleMix maintains the desired output temperature of the mixed water supplied at a constant set value compensating for both temperature and pressure fluctuations of the incoming hot and cold water. The mixing valve also features a thermal shut-off function that operates in the event of a cold water supply failure at the inlet. Also available as body only, for a wide variety of separately-ordered end connections, the angle style body design offers improved fluid dynamics for better performance and reduces installation labor and materials, eliminating a piping elbow in typical installations.

ASSE 1017



The valve has been specifically certified to ASSE 1017 and Low Lead Plumbing Law by ICC-ES.

Product range

- 5205_A series: Adjustable three-way thermostatic mixing valve with mixed outlet temperature gauge and angle body.....connections ¾" press and sweat union
- 5205_AC series: Adjustable three-way thermostatic mixing valve with mixed outlet temperature gauge, angle body with inlet port check valves.....connections ¾" press and sweat union
- 520051A: Adjustable three-way thermostatic mixing valve, angle style body only for field installed connection fittings and temperature gauge, order separately.....connections 1" male union

Technical specification

Materials

- Valve body: DZR low-lead brass
 - Shutter, seats and slide guides: PSU
 - Springs: stainless steel
 - Seals: EPDM
 - Adjustment knob: ABS
- Min. temperature difference between hot water inlet and mixed water outlet for optimal performance: 18°F(10°C)
 Min. flow to ensure optimal performance: 0.5 gpm (2 L/min)

Mixed outlet temperature gauge:

2" diameter

Performance

- Suitable fluids: water
- Setting range: 95–150° F (35–65° C)
- Tolerance: ±3° F (±2° C)

Scale from 30–210° F

Certifications:

1. ASSE 1017/CSA B125.3, certified by ICC-ES, file PMG-1357.
2. NSF/ANSI 372-2011, Drinking Water System Components-Lead Content Reduction of Lead in Drinking Water Act, California Health and Safety Code 116875 S.3874, Reduction of Lead in Drinking Water Act, certified by ICC-ES, file PMG-1360.

- Max. working pressure (static): 150 psi (10 bar)
- Max. working pressure (dynamic): 75 psi (5 bar)
- Max. hot water inlet temperature: 195°F (90°C)
- Max. inlet pressure ratio (H/C or C/H) for optimal performance: 2:1



SAFETY INSTRUCTION

This safety alert symbol will be used in this manual to draw attention to safety related instructions. When used, the safety symbol means **ATTENTION! BECOME ALERT! YOUR SAFETY IS INVOLVED! FAILURE TO FOLLOW THESE INSTRUCTIONS MAY RESULT IN A SAFETY HAZARD.**



WARNING: This product can expose you to chemicals including lead, which is known to the State of California to cause cancer and birth defects or other reproductive harm. For more information go to www.P65Warnings.ca.gov.



CAUTION: All work must be preformed by qualified personnel trained in the proper application, installation, and maintenance of systems in accordance with all applicable codes and ordinances.



CAUTION: If the thermostatic mixing valve is not installed, commissioned and maintained properly, according to the instructions contained in this manual, it may not operate correctly and may endanger the user.



CAUTION: Make sure that all the connecting pipework is water tight.



CAUTION: When making the water connections, make sure that the pipework connecting the AngleMix thermostatic mixing valve is not mechanically overstressed. Over time this could cause breakages, with consequent water losses which, in turn, could cause harm to property and/or people.



CAUTION: Water temperatures higher than 100°F (38°C) can be dangerous. During the installation, commissioning and maintenance of the AngleMix thermostatic mixing valve, take the necessary precautions to ensure that such temperatures do not endanger people.



CAUTION: To prevent any damage which will cause the electronic mixing valve to not operate correctly, treat highly aggressive water before entering the thermostatic mixing valve. Be sure water hardness is less than 10 grains.



CAUTION: If installed in an ASSE 1017 application, check valves shall be used.

LEAVE THIS MANUAL WITH THE USER.



CONSIGNE DE SÉCURITÉ

Ce symbole d'avertissement servira dans ce manuel à attirer l'attention sur la sécurité concernant instructions. Lorsqu'il est utilisé, ce symbole signifie.

ATTENTION! DEVEZ-VOUS ÊTRE ALERTES ! VOTRE SÉCURITÉ EST EN JEU ! NE PAS SUIVRE CES INSTRUCTIONS PEUT PROVOQUER UN RISQUE DE SÉCURITÉ.



AVERTISSEMENT: Ce produit peut vous exposer à des produits chimiques comme le plomb, qui est connu dans l'État de Californie pour causer le cancer, dommages à la naissance ou autre. Pour plus d'informations rendez-vous www.P65Warnings.ca.gov.



ATTENTION: Tous les travaux doivent être effectués par du personnel qualifié formé à la bonne application, installation et maintenance des systèmes conformément aux codes et règlements locaux.



ATTENTION: Si le réducteur de pression, thermostatique réglable, n'est pas installé, mis en service et entretenu correctement, selon les instructions contenues dans ce manuel, il peut ne pas fonctionner correctement et peut mettre en danger l'utilisateur.



ATTENTION: S'assurer que tous les raccordements sont étanches.



ATTENTION: Lorsque vous effectuez les raccordements d'eau, assurez-vous que la tuyauterie reliant le AngleMix thermostatique réglable n'est pas mécaniquement des overstressed. Au fil du temps, ceci pourrait causer des ruptures, avec pour conséquence des pertes en eau qui, à leur tour, peuvent causer des dommages à la propriété et/ou les gens.



ATTENTION: Les températures de l'eau supérieure à 100°F (38°C) peut être dangereux. Au cours de l'installation, mise en service et l'entretien de le réducteur de pression, le AngleMix thermostatique réglable, prendre les précautions nécessaires afin de s'assurer que de telles températures ne compromettent pas les gens.



ATTENTION: Pour prévenir tout dommage qui provoque le mitigeur électronique à ne pas fonctionner correctement, le traitement de l'eau très agressive avant d'entrer dans la thermostatique réglable. Assurez-vous que la dureté de l'eau est inférieure à 10 grains.

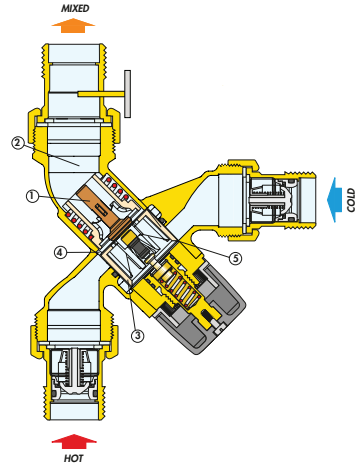


ATTENTION: S'il est installé dans un pays de ASSE 1017 application, vérifiez les robinets doivent être utilisés.

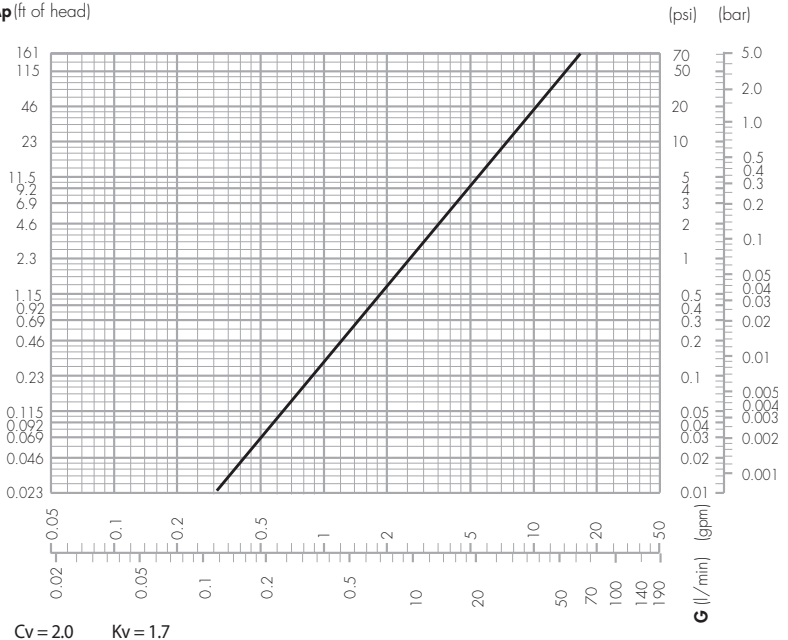
LAISSEZ CE MANUEL AVEC L'UTILISATEUR

Operating principle

The thermostatic mixing valve mixes the hot and cold water at the inlets to maintain constant mixed water at the desired set temperature. A thermostatic sensor (1) is fully immersed in the mixed water outlet passage (2) which, as it expands or contracts, continuously establishes the correct proportion of hot and cold water entering the valve. The regulation of these flows is by means of a piston (3) sliding in a cylinder between the hot and cold water passages. This controls the passage of hot (4) or cold (5) water at the inlet. If the inlet temperature or pressure changes, the internal element automatically reacts to restore the set temperature at the outlet. The AngleMix 520 series point of distribution mixing valve is an angled configuration for easy installation to most water heaters for direct mounting to the top pipe connections.



Flow curve Δp (ft of head)



Use



Caleffi AngleMix 520 series thermostatic mixing valves are designed to be installed at the point of distribution to control the temperature of the domestic hot water distributed in the downstream network. The 520 series valve cannot be used for tempering water temperature at fixtures as a point-of-use valve. They are not designed to provide scald protection or chill protection service. They should not be used where ASSE 1070 devices are required. Wherever a scald protection feature is required, Caleffi 5213 series high performance mixing valves need to be installed. For safety reasons, it is advisable to limit the maximum mixed water temperature to 120°F when anti-scald devices are not used at each fixture.

Construction details

Thermal shut-off

In the event of accidental cold water supply failure, the shutter seals off the hot water passage, thus preventing the delivery of mixed temperature water. This is only guaranteed when there is a minimum temperature difference between the inlet hot water and the mixed temperature water delivery of 18°F.

Body shape

The “L” pattern configuration facilitates installation of the mixing valve. It offers improved fluid dynamics for better performance and high Cv values with minimum head losses. It also reduces installation labor by eliminating a piping elbow in typical installations.

Anti-scale materials

The materials used in constructing the mixing valve are designed to eliminate seizing due to limescale deposits. All functional parts have been made using a special anti-scale material with low friction coefficient, ensuring long life performance.

Certification

1. ASSE 1017/CSA B125.3, certified by ICC-ES, file PMG-1357.
2. NSF/ANSI 372-2011, Drinking Water System Components-Lead Content Reduction of Lead in Drinking Water Act, California Health and Safety Code 116875 S.3874, Reduction of Lead in Drinking Water Act, certified by ICC-ES, file PMG-1360.

Installation



Before installing a Caleffi AngleMix 520 series three-way thermostatic mixing valve, the system must be inspected to ensure that its operating conditions are within the range of the mixing valve, checking, for example, the supply temperature, supply pressure, etc.

Systems where the 520 series thermostatic mixing valve will be installed must be drained and cleaned out to remove any dirt or debris which may have accumulated during installation.

The installation of appropriately sized filters at the inlet from the main water supply is always advisable.

Caleffi AngleMix 520 series thermostatic mixing valves must be installed by qualified personnel in accordance with the diagrams in this brochure, taking into account all current applicable standards.

Caleffi AngleMix 520 series thermostatic mixing valves can be installed in any position, either vertical or horizontal, or upside down.

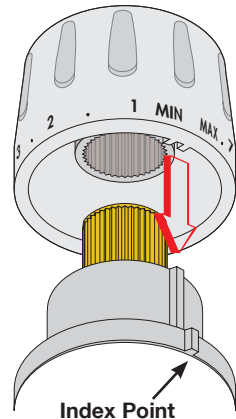
The following are shown on the thermostatic mixing valve body:

- Hot water inlet, color red and marked "HOT".
- Cold water inlet, color blue and marked "COLD".
- Mixed water outlet, marked "MIX".



Locking the setting

Position the handle to the number required with respect to the index point. Unscrew the head screw, pull off the handle and reposition it so that the handle fits into the internal slot of the knob. Tighten the head screw.

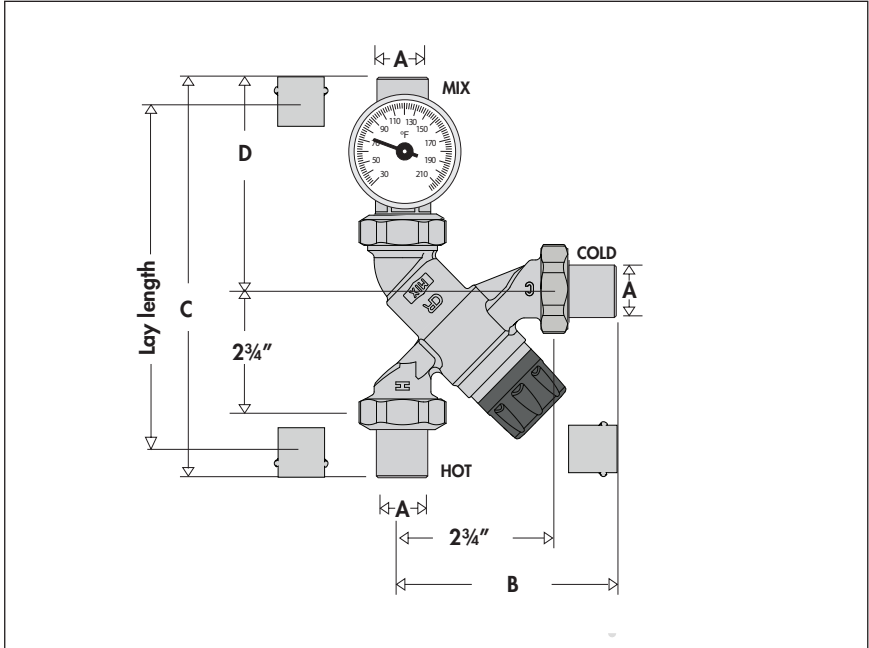


Check valve

In systems with thermostatic mixing valves, check valves should be installed to prevent undesired backflow. In order to prevent undesirable backsiphonage, separate check valves should be installed in systems with code "520 A" model thermostatic mixing valves (these models do not contain integral check valves in the hot and cold inlet ports). As a convenience for easier installations, the Caleffi code "520 AC" model series thermostatic mixing valves include integral check valves in the hot and cold inlet ports.

NOTE TO INSTALLER: DO NOT TEST FIT OR INSTALL CHECK VALVES BEFORE SOLDERING. IF INSTALLED, REMOVAL WILL REQUIRE DAMAGING THE CHECK VALVE AND IT WILL NO LONGER BE USABLE.

Dimensions



Code	A	B	C	D	Wt. (lb.)
520516A	3/4" press	4"	8"	4 ¹³ / ₁₆ "	2.8
520516AC	3/4" press with inlet checks	4"	11 1/2"	6 3/4"	2.8
520519A	3/4" sweat	4"	7 1/2"	4 ⁷ / ₁₆ "	2.8
520519A	3/4" press with inlet checks	4"	10"	6 1/2"	2.8

Lay length (hot inlet to mix outlet) for press: 5⁵/₁₆"; for sweat: 5⁹/₁₆".

Commissioning

The Caleffi AngleMix 520 series thermostatic mixing valve must be commissioned in accordance with current standards by qualified personnel using temperature measuring equipment. Caleffi 520516A, 520516AC, 520519A and 520519AC with integral outlet port temperature gauge provide a time-saving temperature setting process to get close to the desired temperature. Use of a digital thermometer is recommended for confirming the final setting of the mixed water temperature. After installation, the valve must be tested and commissioned in accordance with instructions given below, taking into account current applicable standards.

- 1) Ensure that the system is clean and free from dirt or debris before commissioning the thermostatic mixer.
- 2) It is recommended that the temperature is set using a suitable calibrated digital thermometer. The valve must be commissioned by measuring the temperature of the mixed water emerging at the point of use.
- 3) The maximum outlet temperature from the valve must be set accounting for fluctuations due to simultaneous use. It is essential for these conditions to be stabilized before commissioning.
- 4) Adjust the temperature using the adjusting knob on the valve. For safety reasons, it is advisable to limit the maximum mixed water temperature to 120°F in domestic hot water systems where anti-scald valves are not located at each fixture.
- 5) The temperature may be adjusted using the control knob.
 - a) Adjust the temperature of the mixed water to the desired value.
 - b) Measure and record the temperature at the cold and hot water inlets.
 - c) Measure and record the temperature of the water delivered from the tap at the lowest and highest flow rates.
 - d) Run a test of the thermal shut-off function. Close the cold water inlet shut-off valve and check the mixed water delivery. The delivery flow rate should quickly drop to zero.
 - e) Measure and record the maximum mixed water temperature. The temperature may not exceed the values permitted in any applicable legislation or code of practice.
 - f) Restore the cold water inlet supply and measure the water delivery temperature after it has stabilized. The final temperature measured in this test may not exceed the permitted values by $\pm 3^{\circ}\text{F}$ ($\pm 2^{\circ}\text{C}$).

In case of change to temperature setting, repeat tests in accordance with points d, e, f. All the above information should be recorded in the commissioning report and updated in the maintenance report whenever the valve is worked on.

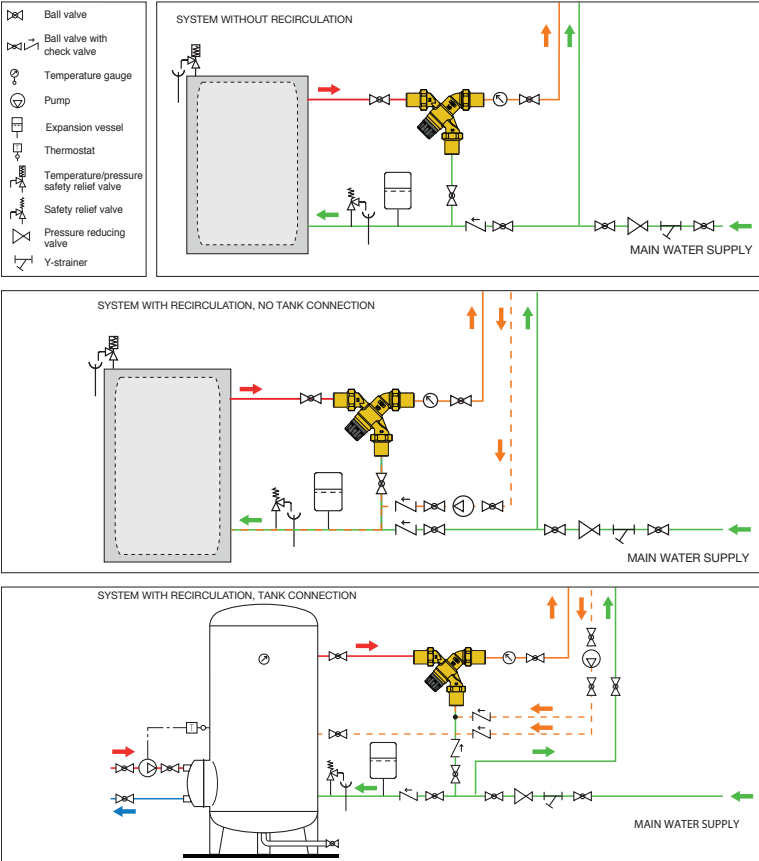
Temperature setting and locking

The control knob permits temperature setting between minimum and maximum in one turn (360°). It also has a tamper-proof system to lock the temperature at the set value. The temperature is set to the required value by means of the knob with the graduated scale, on the top of the valve.

Pos.	Min.	1	2	3	4	5	6	7	Max.
T (°F)	95	105	115	120	125	132	140	145	150
T (°C)	35	40	45	48	52	56	60	63	65

with: $T_{HOT} = 158^{\circ}\text{F}$ (70°C), with: $T_{cold} = 59^{\circ}\text{F}$ (15°C), $P = 43$ psi (3 bar)

Application diagrams



Troubleshooting

Under normal operating conditions the Caleffi AngleMix 520 series thermostatic mixing valve will provide a very high level of performance. However, in some circumstances, where the following maintenance schedule is not followed problems may arise.

Recommended maintenance schedule:

Tests should be conducted regularly to monitor the thermostatic mixing valve performance, as deterioration of performance could indicate that the valve and/or the system require maintenance. If, during these tests, the temperature of the mixed water has changed significantly in comparison with the previous test, the details given in the installation and commissioning sections should be checked and maintenance conducted.

The following should be checked regularly to ensure that the optimum performance levels of the valve are maintained. Check every 12 months at least, or more often if necessary.

- 1) Check and clean the system filters.
- 2) Check that any check valves positioned upstream of the Caleffi thermostatic mixing valve are operating correctly, without problems caused by impurities.
- 3) Limescale can be removed from internal components of the thermostatic mixing valve by immersion in a suitable de-scaling fluid.
- 4) When the components which can be maintained have been checked, commission the valve.

Symptoms	Cause	Corrective action
Hot water at the cold taps	a) Operation of check valve is hindered; Check valve is not sealing correctly. b) Check valves not fitted.	- Replace faulty check valve
Fluctuating mixed water temperature	a) Erratic supply temperatures at the inlet of the valve. b) Starvation of the water supplies at the inlets of the valve. c) Incorrect commissioning of the valve.	- Restore inlet conditions within the limits of the valve.
Erratic flow of water from the valve	a) Insufficient water supplies b) Fluctuations in the supply pressures/temperatures. c) Adverse effect created by other draw off points on the system	- Stabilize inlet supply conditions.
No flow of water from the valve	a) In-line filters blocked. b) Insufficient supply pressures. c) Debris obstructing valve operation.	- Clean filters - Restore inlet supplies - Clean debris or scale from the valve.
Valve shut-off function not performed when tested	a) Installation not compliant with instructions. b) Minimum temperature difference not reached. c) Valve mechanism blocked by dirt.	- Follow installation instructions. - Increase hot water temperature. - Remove dirt/limescale from the valve.

NOTES



Caleffi North America, Inc.
3883 West Milwaukee Road
Milwaukee, WI 53208
T: 414.238.2360 F: 414.238.2366

11-15-18