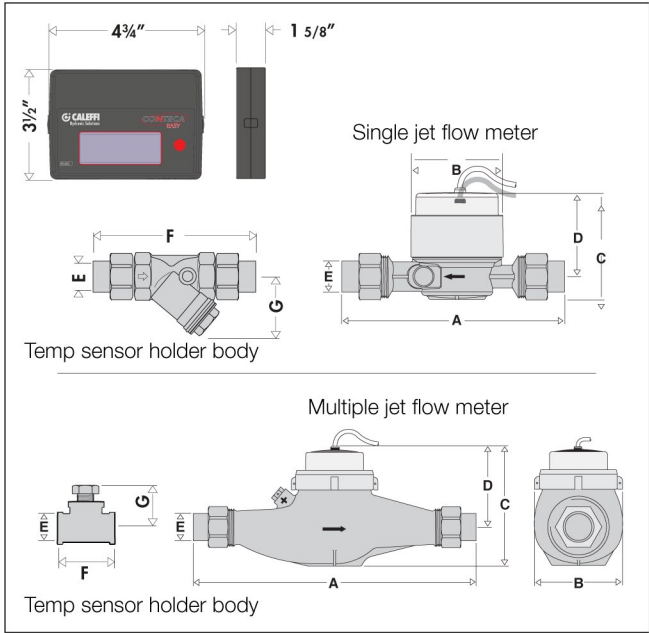


Dimensions



Code	A	Flow meter Lay length	B	C	D	ends*	E	F	Sensor holder Lay length	G	Wt (lb)			
750449A	6 7/8"	na	3 1/8"	4 1/4"	3 1/2"	sweat	1/2"	7 1/4"	na	2"	6.2			
750440A	8 3/8"	na				mnpt		8 3/4"	na					
750446A	7 1/8"	5 5/8"				press		5 3/4"	4 1/4"					
750459A	7 3/8"	na				sweat	7 3/4"	na	3/4"			8"	na	7.1
750450A	7 5/8"	na				mnpt	6 1/8"	4 1/8"						
750456A	7 3/4"	5 3/4"				press	9"	na						
750469A	8 5/8"	na				sweat	8 3/4"	na	1"			6 3/8"	4 3/8"	7.9
750460A	8 3/8"	na				mnpt	5 1/8"	na				2 1/16"	11.5	
750466A	8"	6"				press	5 7/8"	na				2 3/8"	12.1	
750463A	12 1/4"	na	4"	5 3/8"	3 3/4"	fnpt	1 1/2"	5 5/8"	na	2 5/16"	18.7			
750473A	12 1/4"	na	4"	5 3/8"	3 3/4"	fnpt	1 1/4"	5 7/8"	na	2 3/8"	12.1			
750483A	17 1/4"	na	5 1/4"	6 7/16"	4 5/8"	fnpt	1 1/2"	5 5/8"	na	2 5/16"	18.7			

*end connections are the same for the flowmeter and sensor holder bodies for each code.
 ex: code 750449A has union sweat ends on both the flow meter and the sensor holder bodies.