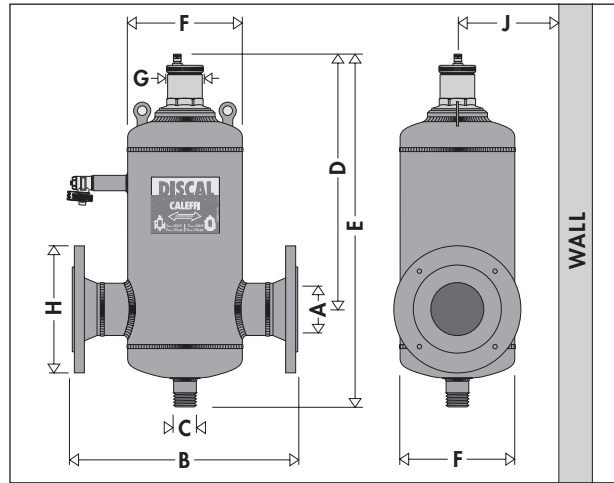


## Dimensions



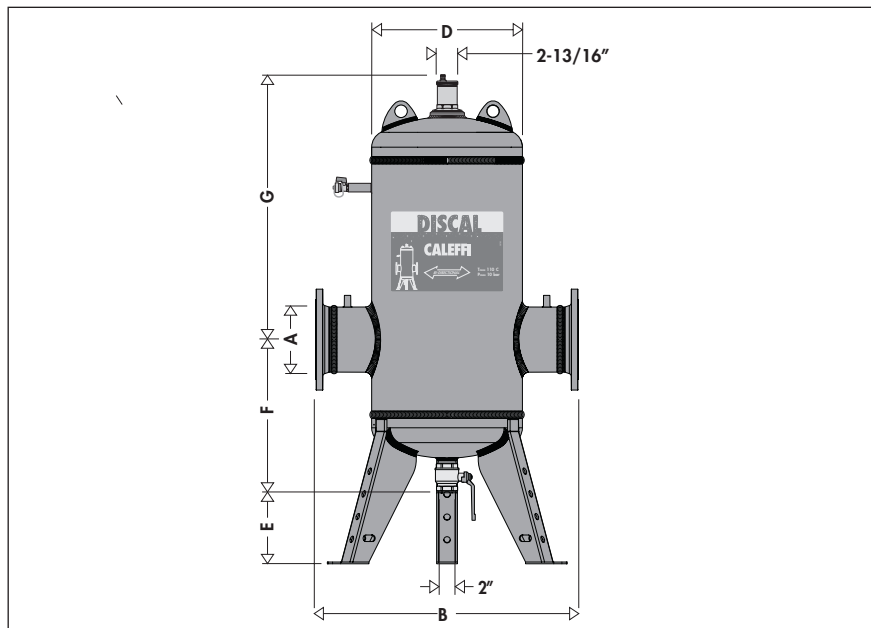
Code	A	B	C	D	E	F	G	H	J†	Wt (lb)
**551050A	2"	13¾"	1"	14¾"	19 <sup>15</sup> / <sub>16</sub> "	6 <sup>5</sup> / <sub>8</sub> "	2 <sup>13</sup> / <sub>16</sub> "	6"	6 <sup>5</sup> / <sub>16</sub> "	34
**551060A	2½"	13¾"	1"	14¾"	19 <sup>15</sup> / <sub>16</sub> "	6 <sup>5</sup> / <sub>8</sub> "	2 <sup>13</sup> / <sub>16</sub> "	7"	6 <sup>5</sup> / <sub>16</sub> "	35
**551080A	3"	18 <sup>3</sup> / <sub>8</sub> "	1"	17 <sup>1</sup> / <sub>8</sub> "	23 <sup>7</sup> / <sub>16</sub> "	8 <sup>5</sup> / <sub>8</sub> "	2 <sup>13</sup> / <sub>16</sub> "	7½"	7 <sup>5</sup> / <sub>16</sub> "	62
**551100A	4"	18½"	1"	17 <sup>1</sup> / <sub>8</sub> "	23 <sup>7</sup> / <sub>16</sub> "	8 <sup>5</sup> / <sub>8</sub> "	2 <sup>13</sup> / <sub>16</sub> "	9"	7 <sup>5</sup> / <sub>16</sub> "	67
NA551120A	5"	25"	1"	21 <sup>1</sup> / <sub>8</sub> "	30½"	12¾"	2 <sup>13</sup> / <sub>16</sub> "	10"	9 <sup>3</sup> / <sub>8</sub> "	106
NA551150A	6"	25"	1"	21 <sup>1</sup> / <sub>8</sub> "	30½"	12¾"	2 <sup>13</sup> / <sub>16</sub> "	10"	9 <sup>3</sup> / <sub>8</sub> "	117

Size	2"	2 ½"	3"	4"	5"	6"
Cap. (gal)	1.8	1.8	4.8	4.8	13.7	13.7

\*\*Add prefix NA to flanged code number when ordering ASME tagged and registered with the National Board of boiler and Pressure Vessel Inspector and CRN registered.

†This dimension allows for a minimum of 3" wall clearance to accommodate insulation if used.



Code	A	B	D	E	F	G	Cap. (gal)	Wt (lb)
NA551200A	8"	35 7/16"	20"	8 1/2"	20"	32 1/2"	56	335
NA551250A	10"	41 3/4"	26"	8 1/2"	22 5/8"	38 1/4"	110	617
NA551300A	12"	46 1/2"	30"	8 1/2"	25 3/8"	43 3/8"	169	871

These models are ASME tagged and registered with the National Board of Boiler and Pressure Vessel Inspector and CRN registered (12" pending, consult Caleffi).

**NOTE:** Drawings may not reflect the actual size of the separators.