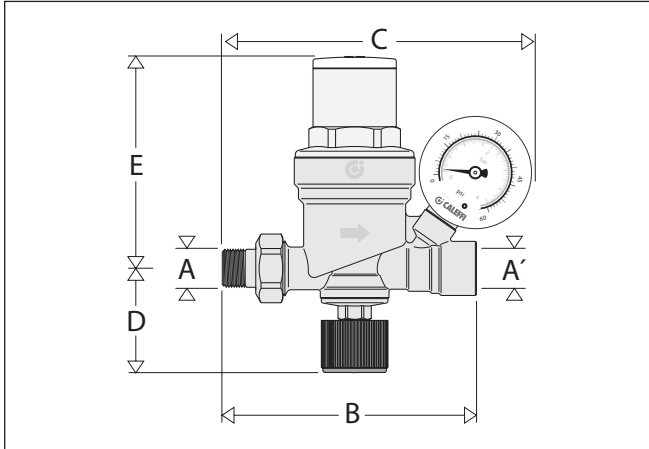


Dimensions



Code	A	A'	B	C	D	E
553542A	1/2" NPT	1/2" NPT	4 3/4"	—	1 5/16"	4"
553549A	1/2" SWT	1/2" NPT	4 3/4"	—	1 5/16"	4"
553642A	1/2" NPT	1/2" NPT	4 3/4"	5 3/4"	1 5/16"	4"
553649A	1/2" SWT	1/2" NPT	4 3/4"	5 3/4"	1 5/16"	4"

Maintenance

For cleaning, inspection or replacement of the entire cartridge, proceed as follows:

1. Isolate the unit.
2. Open the lower control knob.
3. Unscrew the adjusting screw until it stops.
4. Remove the upper cover.
5. Extract the cartridge using pliers.
6. The entire unit, after inspection, can be reassembled or replaced using a spare cartridge.
7. Re-adjust the equipment.



Replacement parts



NA10363

Replacement gauge 0-60 psi/0-4 bar, 1/4" NPT



F59650

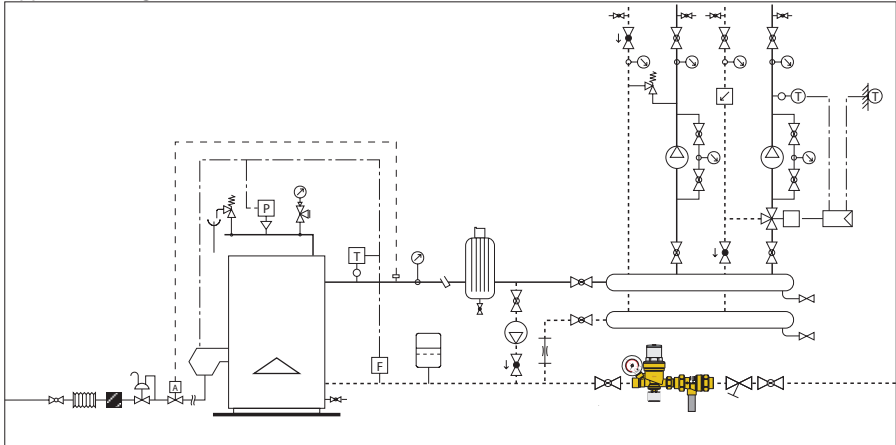
AutoFill™ 553 series replacement cartridge



NA10197

AutoFill™ clear plastic disc cover

Application diagram



	Shut-off valve		Pump		3-way valve		Fuel shut-off valve
	Ball valve		FlowCal™		Pressure switch		Anti-vibration joint
	BALLSTOP		Flow meter		Control pocket		Sensor pocket
	Thermometer		Temperature probe		Gas filter		Safety valve
	Differential by-pass valve		Safety thermostat		Gas regulator		Y-strainer
	Flow switch		Regulator		Air separator		
	Zone valve		Expansion vessel				

Scan to view



5S3 AutoFill™

Installation Tip



Caleffi North America, Inc.
3883 West Milwaukee Road
Milwaukee, WI 53208
T: 414.238.2360 F: 414.238.2366

1-01-2021