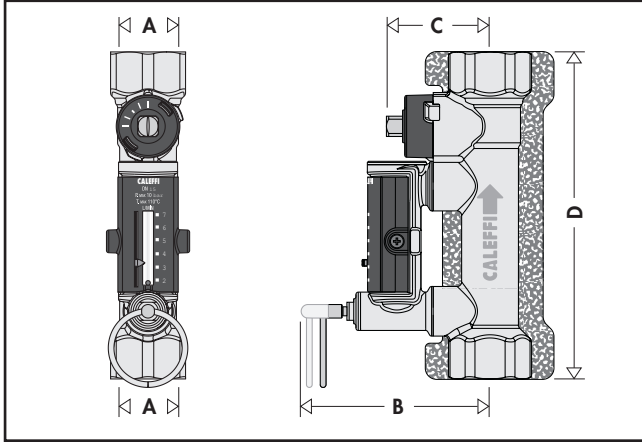


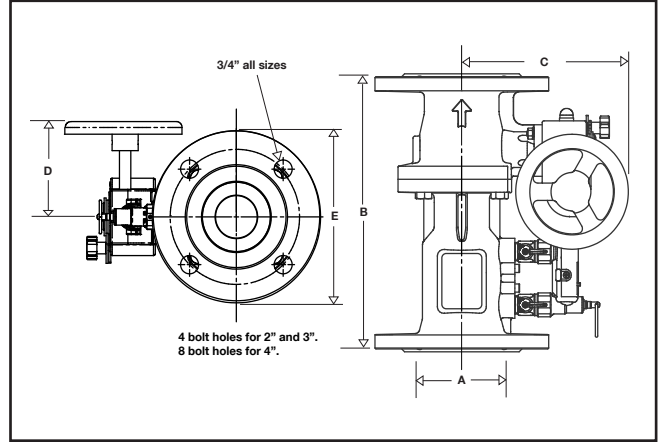
Dimensions



Code	A	B	C	D	Wt (lb/kg)
132432A	1/2"	3 5/16"	1 13/16"	5 3/4"	2.0/0.9
132552A	3/4"	3 5/16"	1 13/16"	5 3/4"	1.8/0.8
132662A	1"	3 3/8"	1 7/8"	6 1/4"	2.4/1.1
132772A	1 1/4"	3 1/2"	2"	6 1/2"	2.8/1.3
132882A	1 1/2"	3 5/8"	2 1/4"	6 3/4"	3.4/1.5
132992A	2"	3 3/4"	2 1/2"	7"	4.4/2.0

Flow rate ranges

Code	Connection	Flow rate (GPM)	Full open Cv
132432A	1/2" NPT	1/2 - 1 3/4	1.0
132552A	3/4" NPT	2.0 - 7.0	6.3
132662A	1" NPT	3.0 - 10.0	8.3
132772A	1 1/4" NPT	5.0 - 19.0	15.2
132882A	1 1/2" NPT	8.0 - 32.0	32.3
132992A	2" NPT	12.0 - 50.0	53.7



Code	A	B	C	D	E	Bolt circle dia	Wt (lb/kg)
132060A	2 1/2"	11 7/16"	6 31/32"	3 7/8"	7"	5 1/2"	32/15
132080A	3"	12 7/32"	7 9/32"	3 7/8"	7 1/2"	6"	40/18
132100A	4"	13 25/32"	7 29/32"	3 7/8"	9"	7 1/2"	57/26

Flow rate ranges

Code	Connection	Flow rate (GPM)	Full open Cv
132060A	2 1/2" flange	30 - 105	87
132080A	3" flange	38 - 148	164
132100A	4" flange	55 - 210	242