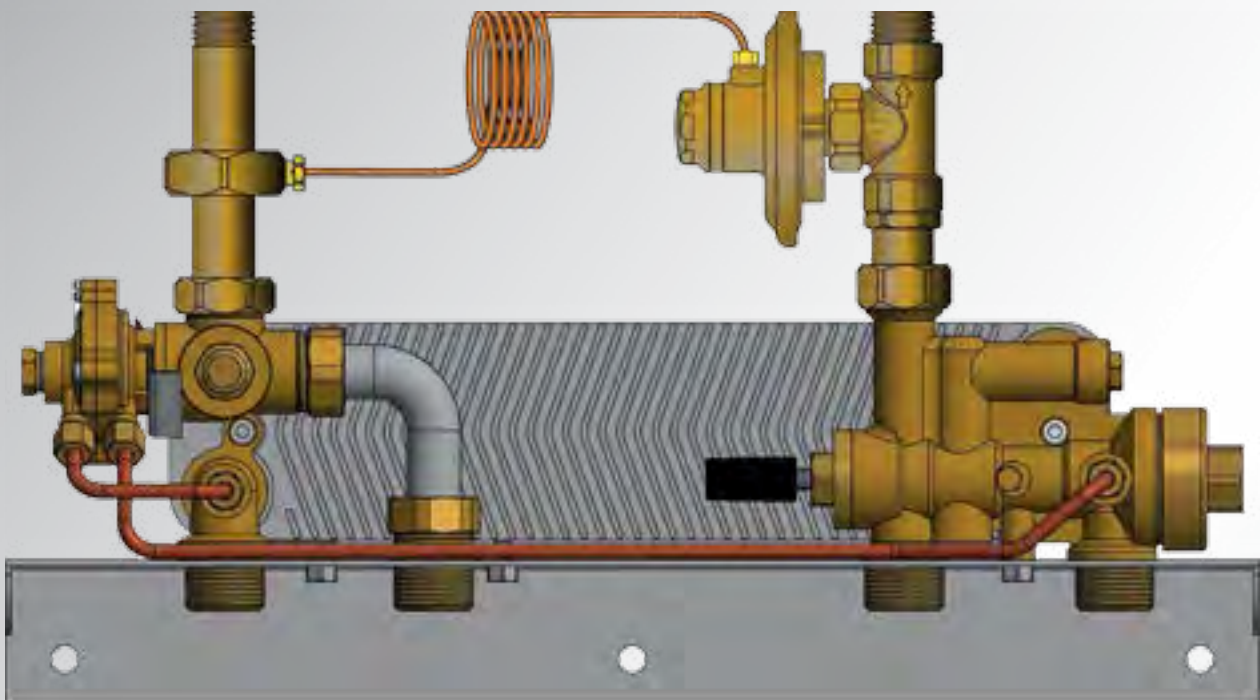




# WALL-MOUNTED HEAT INTERFACE UNIT INSTANTANEOUS PRODUCTION OF DOMESTIC HOT WATER MECHANICAL CONTROL

**CALEFFI**  
Hydronic Solutions



## FUNCTIONS - FEATURES

- Ideal use with condensing boilers and thermostatic control heads
- No electric supply needed
- Domestic hot water temperature manual adjustment
- Simple installation, usage and maintenance
- Primary circuit automatic flow rate modulation based on domestic hot water drawing
- Domestic hot water priority over heating

PRODUCT RANGE - SATK15 SERIES

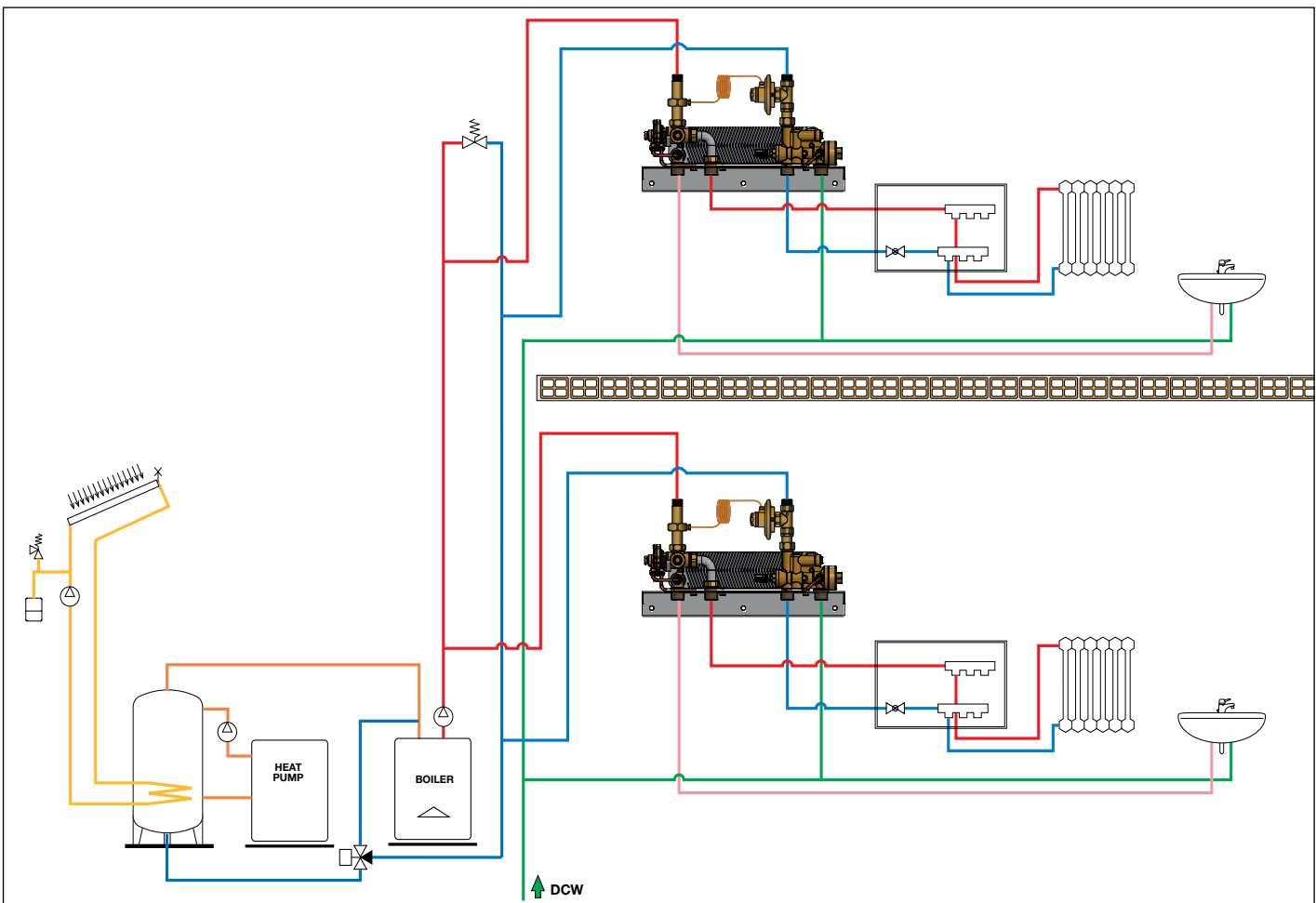


CODE	HEATING RANGE
SATK15303 DPCV	ON/OFF
CODE	DIMENSIONS
SATK15303 DPCV	420 x 250 x 130

PERFORMANCES

DHW EXCHANGER CAPACITY	40 kW
MAX. FLOW RATE DHW CIRCUIT	18 l/min
MAX. WORKING PRESSURE DHW CIRCUIT	10 bar
MIN. FLOW RATE DHW CIRCUIT	1,8 l/min
DHW CIRCUIT Kv	0,95
MAX. WORKING PRESSURE PRIMARY CIRCUIT	10 bar
MAX. MEDIUM TEMPERATURE	85°C

APPLICATION DIAGRAM



**CALEFFI**  
Hydronic Solutions

0355012GB