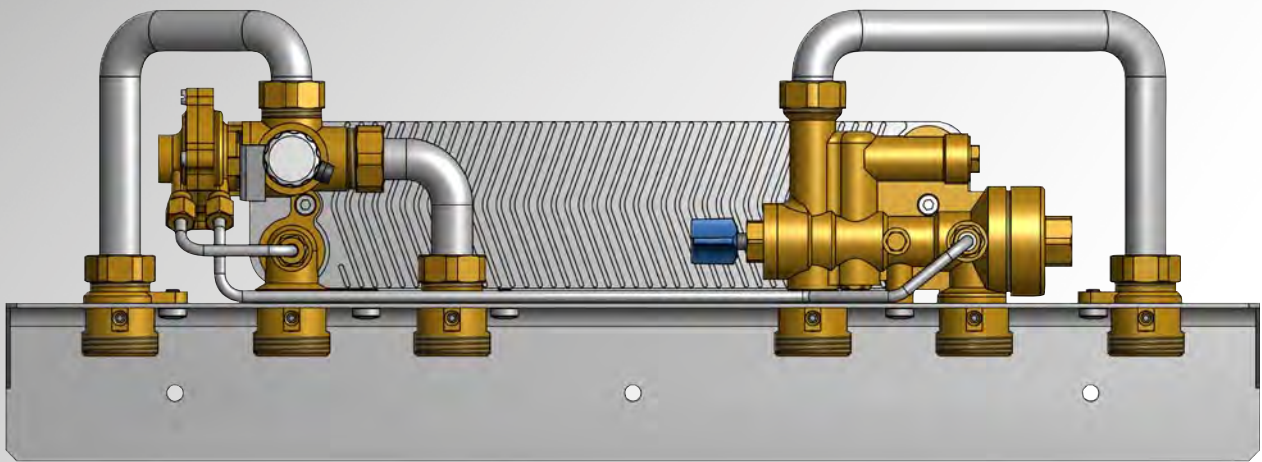




WALL-MOUNTED HEAT INTERFACE UNIT INSTANTANEOUS PRODUCTION OF DOMESTIC HOT WATER MECHANICAL CONTROL

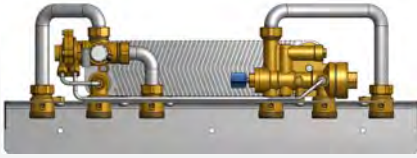
CALEFFI
Hydronic Solutions



FUNCTIONS - FEATURES

- Ideal use with condensing boilers and thermostatic control heads
- No electric supply needed
- Domestic hot water temperature manual adjustment
- Simple installation, usage and maintenance
- Primary circuit automatic flow rate modulation based on domestic hot water drawing
- Domestic hot water priority over heating

PRODUCT RANGE - SATK20 SERIES

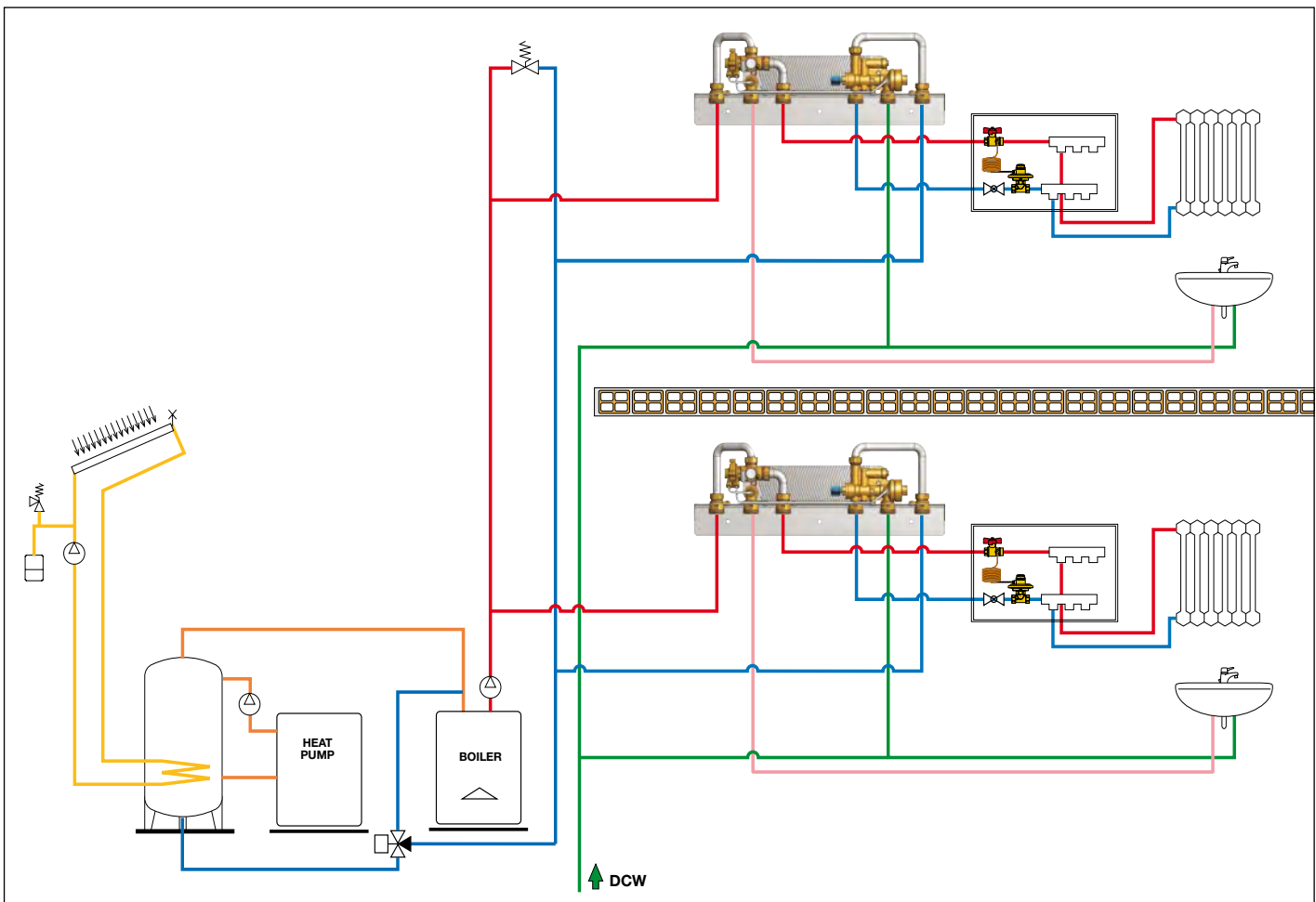


CODE	HEATING RANGE
SATK20313	ON/OFF
CODE	DIMENSIONS
SATK20313	550 x 200 x 180

PERFORMANCES

DHW EXCHANGER CAPACITY	40 kW
MAX. FLOW RATE DHW CIRCUIT	18 l/min
MIN. FLOW RATE DHW CIRCUIT	3 l/min
MAX WORKING PRESSURE DHW CIRCUIT	10 bar
MIN WORKING PRESSURE DHW CIRCUIT	0,3 bar
MAX WORKING PRESSURE PRIMARY CIRCUIT	10 bar
MAX. MEDIUM TEMPERATURE	85°C

APPLICATION DIAGRAM



CALEFFI
Hydronic Solutions

03549-12GB