



PRESSURE INDEPENDENT CONTROL VALVE FLOWMATIC® (PICV)

CALEFFI
Hydronic Solutions



Heating

Engineered components for modern systems



FUNCTIONS AND FEATURES

- Allows, in a single device, hydraulic balancing of the circuit and adjustment of the flow rate to the terminals.
- Flow rate adjustment can take place using an actuator controlled by an external regulator, in accordance with the thermal load.
- Circuit balancing is carried out using an automatic regulator capable of working with a pressure differential of up to 4 bar at the valve ports.
- Extremely compact, suitable for installation even in small spaces.
- Possibility, during installation, of easily pre-adjusting the flow rate to between 10% and 100% of the nominal value using a graduated scale indicator.
- Fitted for connection to pressure test gauges for checking the system operating parameters.

PRODUCT RANGE - 145 SERIES



CODE	VOLTAGE	CONTROL
145014	24 V	proportional 0 - 10 V

ART.NR.	SIZES	CONNECTION	FLOW RATE RANGES (m³/h)
145430 H40	DN 15	3/8"	0,08-0,40
145430 H80	DN 15	3/8"	0,08-0,80
145440 H40	DN 15	1/2"	0,08-0,40
145440 H80	DN 15	1/2"	0,08-0,80
145550 H40	DN 20	3/4"	0,08-0,40
145550 H80	DN 20	3/4"	0,08-0,80
145550 1H2	DN 20	3/4"	0,12-1,20
145552 H40	DN 20	3/4" Euroconus	0,08-0,40
145552 H80	DN 20	3/4" Euroconus	0,08-0,80
145552 1H2	DN 20	3/4" Euroconus	0,12-1,20
145560 H40	DN 20	1"	0,08-0,40
145560 H80	DN 20	1"	0,08-0,80
145560 1H2	DN 20	1"	0,12-1,20



CODE	VOLTAGE	CONTROL
656302	230 V	ON-OFF
656304	24 V	ON-OFF
656312	230 V	ON/OFF (With aux microswitch.)
656314	24 V	ON/OFF (With aux microswitch.)



CODE	VOLTAGE	CONTROL
656202	230 V	ON-OFF
656204	24 V	ON-OFF
656212	230 V	ON/OFF (With aux microswitch.)
656214	24 V	ON/OFF (With aux microswitch.)



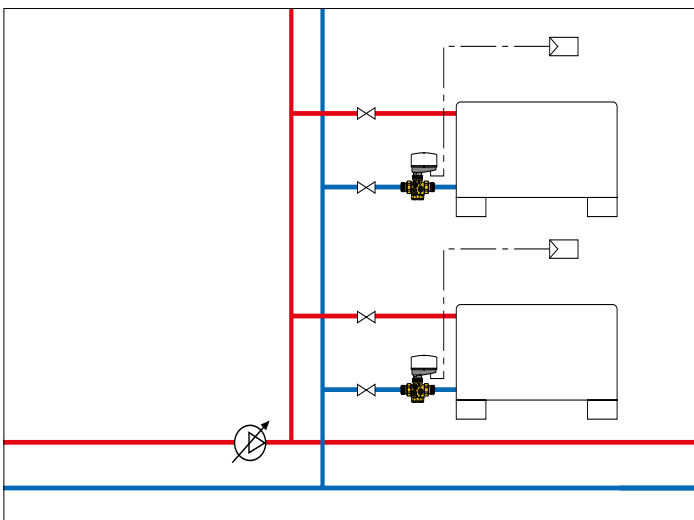
CODE	VOLTAGE	CONTROL
656102	230 V	ON-OFF
656104	24 V	ON-OFF
656112	230 V	ON/OFF (With aux microswitch.)
656114	24 V	ON/OFF (With aux microswitch.)



WITH LOW POWER CONSUMPTION

CODE	VOLTAGE	CONTROL
656402	230 V	ON/OFF
656404	24 V	ON/OFF
656412	230 V	ON/OFF (With aux microswitch.)
656414	24 V	ON/OFF (With aux microswitch.)

APPLICATION DIAGRAMS



TECHNICAL SPECIFICATIONS

BODY	dezincification resistant alloy CR
FLOW RATE REGULATOR	polymer
MEMBRANE	EPDM

PERFORMANCE

MAX. WORKING PRESSURE	16 bar
WORKING TEMPERATURE RANGE	-20 - 120°C
MAX. PERCENTAGE OF GLYCOL	50%
RANGE Δp	25-400 kPa



CALEFFI
Hydronic Solutions

0351714GB