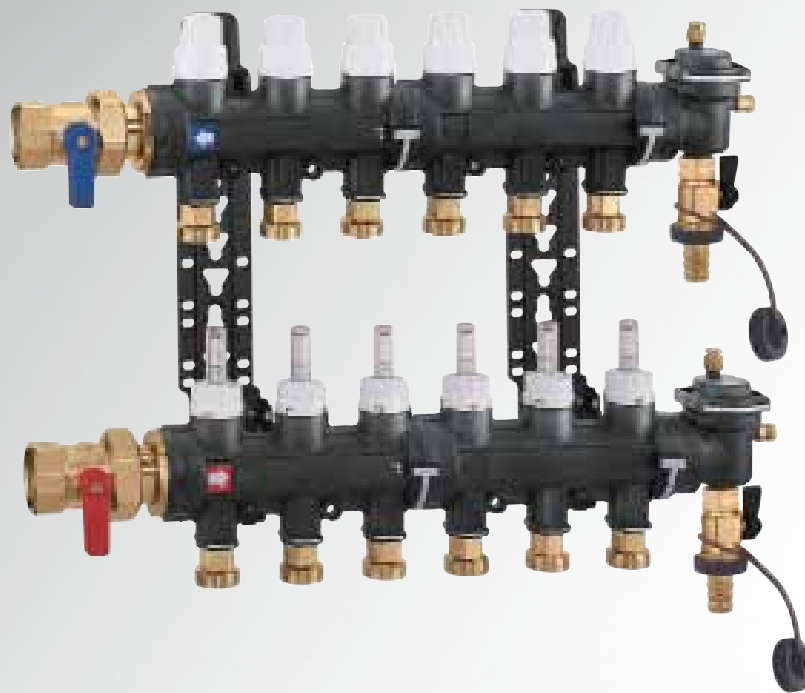




# COMPOSITE DISTRIBUTION MANIFOLDS

**CALEFFI**  
Hydronic Solutions

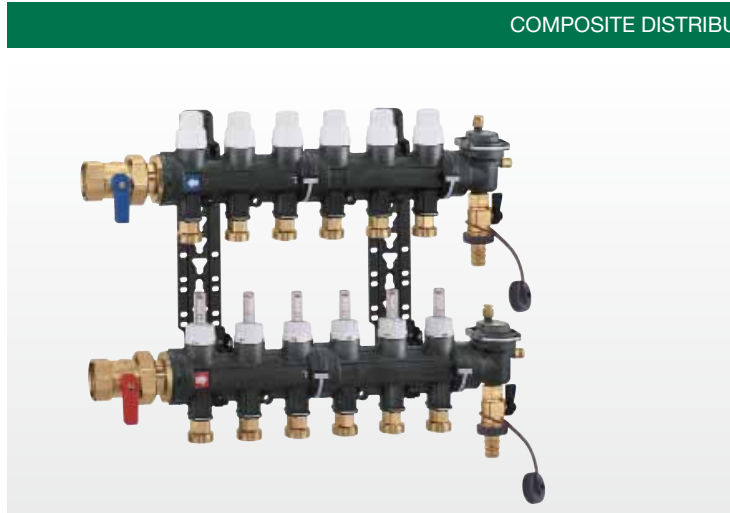


## FUNCTIONS AND FEATURES

- Manifold made of composite material specifically designed for control and distribution of the medium in underfloor radiant panel systems.
- Manifold end fittings complete with automatic air vent and fill/drain cock.
- Made of specific technopolymer to guarantee high resistance to plastic deformation and consistent performance with temperature variations.
- Outlet connections for the individual circuits are made for the use of a special quick-fit coupling adapter, which is easy to assemble and remove.
- Flow manifold complete with flow meters with in-built regulating valves and return manifold complete with shut-off valves fitted for thermo-electric actuators.
- Temperature gauges are available as an accessory, with push-fit on pipe, to measure the actual temperature of the medium in the return circuit.

## PRODUCT RANGE

### COMPOSITE DISTRIBUTION MANIFOLDS

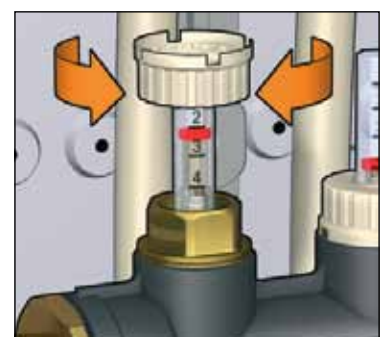
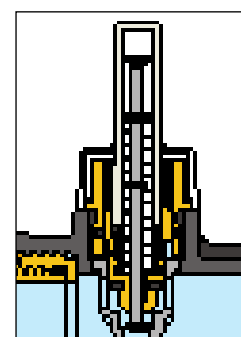
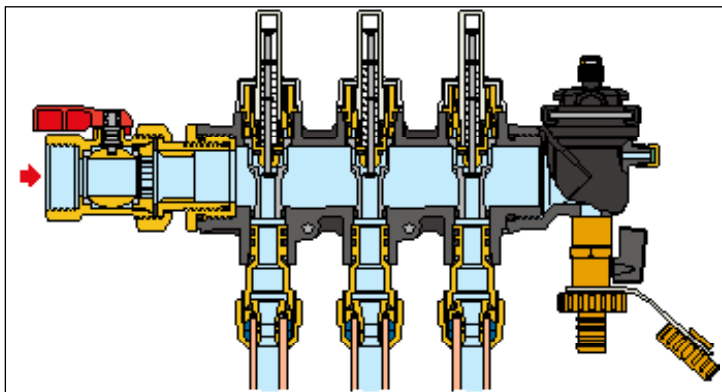
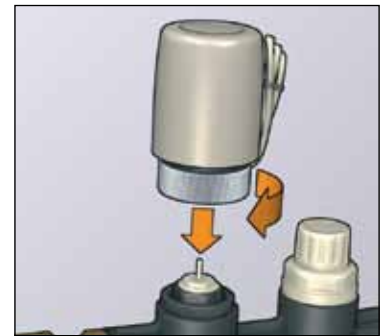
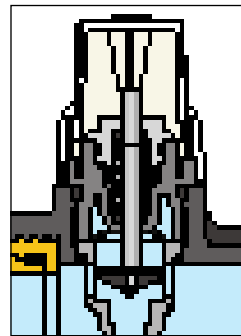
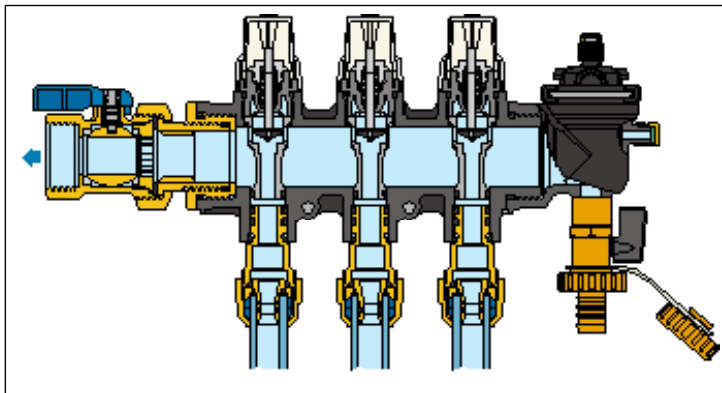


CODE	CONNECTION	NO. OUTLETS	OUTLET
6716C1	1" BP	x 3	3/4" HP
6716D1	1" BP	x 4	3/4" HP
6716E1	1" BP	x 5	3/4" HP
6716F1	1" BP	x 6	3/4" HP
6716G1	1" BP	x 7	3/4" HP
6716H1	1" BP	x 8	3/4" HP
6716I1	1" BP	x 9	3/4" HP
6716L1	1" BP	x 10	3/4" HP
6716M1	1" BP	x 11	3/4" HP
6716N1	1" BP	x 12	3/4" HP
6716O1	1" BP	x 13	3/4" HP
6716P1	1" BP	x 14	3/4" HP

### PERFORMANCE

MEDIUM	water, glycol solutions	WORKING TEMPERATURE RANGE	5 – 60°C
MAX. GLYCOL	30%	FLOW METER SCALE	1 – 4 l/minute
MAX. WORKING PRESSURE	4 bar	ACCURACY	10%
MAX. COLD HYDRAULIC TEST PRESSURE	6 bar	MAIN CONNECTION CENTRE DISTANCE	255 mm
MAX. AIR VENT DISCHARGE PRESSURE	6 bar	OUTLETS CENTRE DISTANCE	50 mm

### CONSTRUCTION DETAILS



**CALEFFI**  
Hydronic Solutions

0351213EN