

# Thermostatic diverter valve for solar thermal systems

## 2620 series

**CALEFFI**  
**SOLAR**



### Function

The thermostatic diverter valve is used in solar thermal systems that produce hot water for domestic purposes. Its function is to divert the water coming from the solar water storage directly to the users or to a storage system for integration according to the set temperature. This particular series of diverter valves can work continuously with hot water supplied at high temperatures from the solar system storage tank

### Product range

2620 series Thermostatic diverter valve for solar thermal systems \_\_\_\_\_ sizes DN 15 (1/2"), DN 20 (3/4"), and DN 25 (3/4")

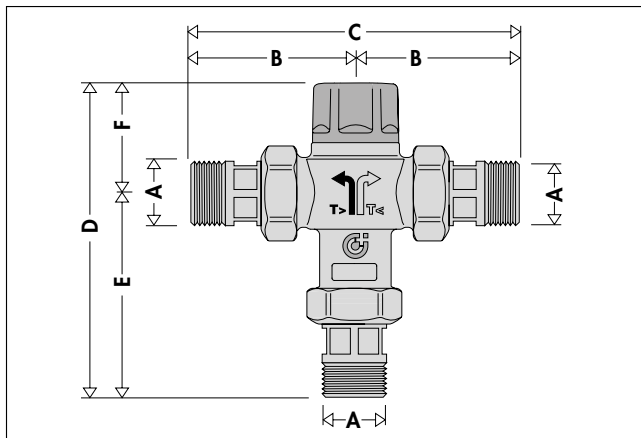
### Technical specifications

Body: dezincification resistant alloy **CR**  
EN 12165 CW724R, chrome plated  
Obturator: PSU  
Springs: stainless steel EN 10270-3  
Seal elements: EPDM

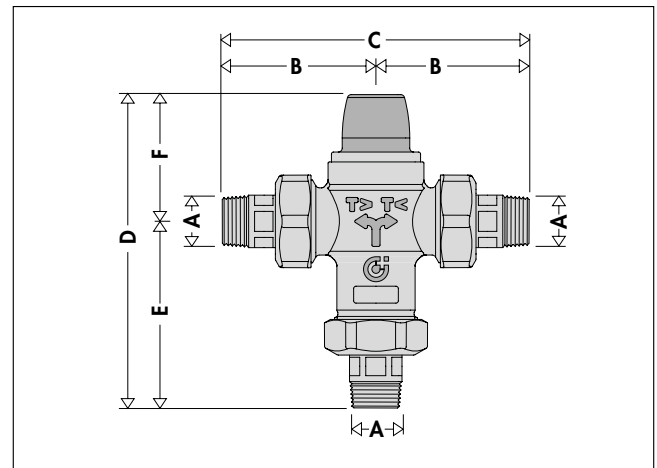
### Performance

Adjustment range: 35–55°C (code 262040 - 262050)  
38–52°C (code 262055)  
Accuracy: ±2°C  
Max. working pressure (static): 10 bar  
Max. working pressure (dynamic): 5 bar  
Max. inlet temperature: 100°C  
Factory setting: 45°C  
Min. flow rate for stable operation: 4 l/min  
Connections: 1/2" (DN 15) ISO 228-1  
3/4" (DN 20) ISO 228-1  
3/4" (DN 20) 10226-1

### Dimensions



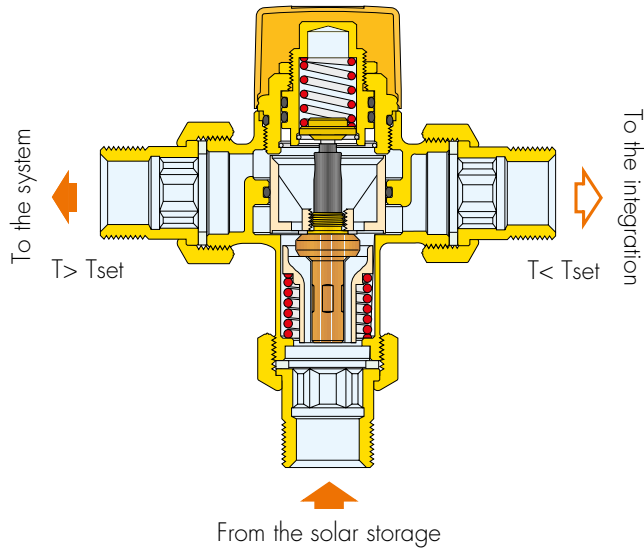
Code	A	B	C	D	E	F	Mass (kg)
262040	1/2"	62	124	119,5	77	42,5	0,77
262050	3/4"	62	124	119,5	77	42,5	0,79



Code	A	B	C	D	E	F	Mass (kg)
262055	3/4"	78,5	157	159,5	95,5	64	1,44

### Operating principle

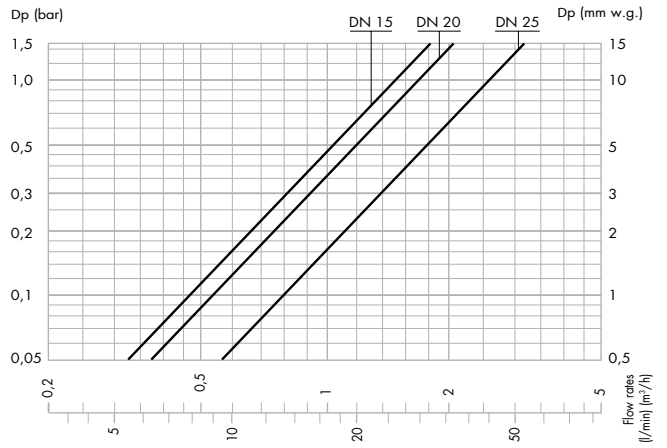
A thermostatic element is fully immersed in the inlet water flow. It contracts or expands, moving an obturator which controls the water deviation to the two outlets.



### Construction details

The thermostatic diverter valve features a built-in sensor, which is immersed directly in the flow of hot water coming from the solar storage. Through the action of the thermostat controlling obturator movement, the flow rate is adjusted proportionally and automatically, without the need for external power sources. This means there is no need for other temperature probes in the circuit and electrical wiring procedures.

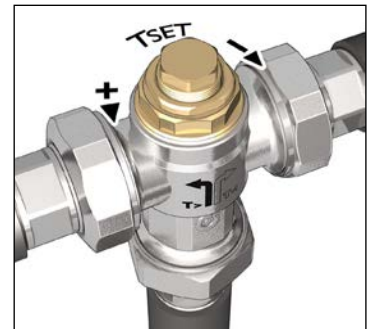
### Hydraulic characteristics



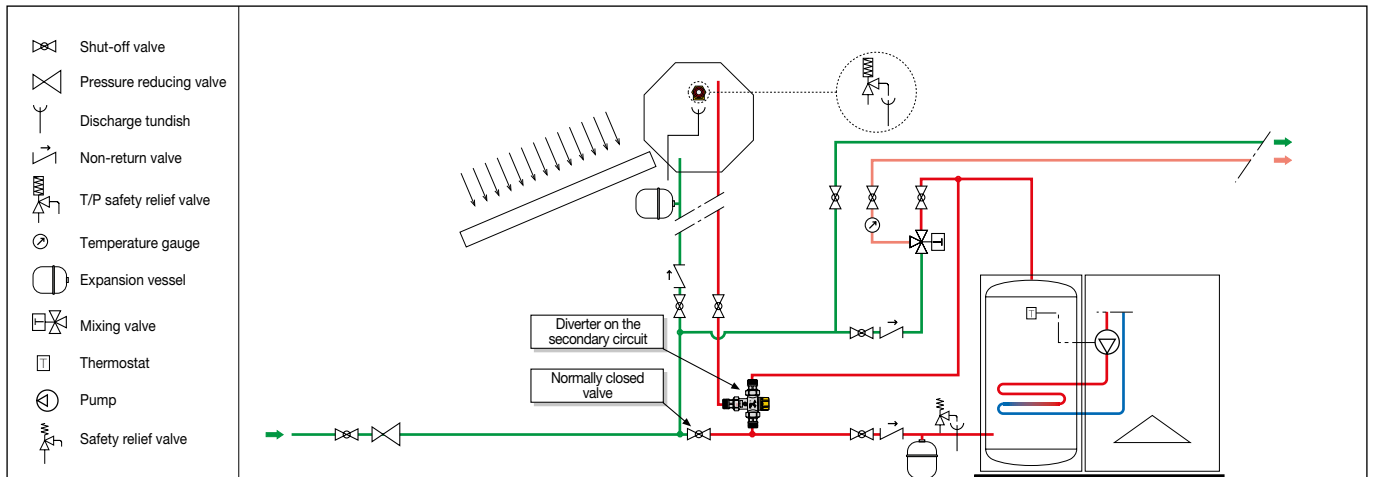
Code	DN	Kv (m³/h)
262040	15	1,5
262050	20	1,7
262055	25	2,6

### Temperature adjustment

The temperature adjustment is made using the adjusting screw.



### 262 series thermostatic diverter valve application diagram



## SPECIFICATION SUMMARY

### 2620 series

Thermostatic diverter valve for solar thermal systems. Connections 1/2" and 3/4" M (ISO 228-1) with union. Dezincification resistant alloy body. Chrome plated. PSU obturator. Stainless steel springs. EPDM seal elements. Maximum inlet temperature 100°C. Adjustment range 35–55°C (code 262040 - 262050), 38–52°C (code 262055). Accuracy ±2°C. Maximum working pressure (static) 10 bar. Maximum working pressure (dynamic) 5 bar. Factory setting 45°C.

We reserve the right to make changes and improvements to the products and related data in this publication, at any time and without prior notice.