

# AngleMix™

## Angle-style thermostatic mixing valve



### 520 series



01266/21.01 NA

Replaces 011266/21 NA



#### Function

The Caleffi AngleMix™ 520 series thermostatic mixing valve is used in systems producing domestic hot water and easily mounts to the top of water heaters. The mixed temperature outlet is inline with the hot water inlet, facilitating trouble-free connection and reducing space required for installation. The AngleMix maintains the desired output temperature of the mixed water supplied at a constant set value compensating for both temperature and pressure fluctuations of the incoming hot and cold water. The mixing valve also features a thermal shut-off function that operates in the event of a cold water supply failure at the inlet. Also available as body only, for a wide variety of separately-ordered end connections, the angle style body design offers improved fluid dynamics for better performance and reduces installation labor and materials, eliminating a piping elbow in typical installations.

The valve complies with NSF/ANSI 372, low lead, as certified by ICC-ES. Complies with ASSE 1017, CSA B125.3, UPC, IPC, IRC, NPC Low Lead Laws and listed by ICC-ES for use in accordance with the U.S. and Canadian plumbing codes.

#### Product range

520___A series	Adjustable three-way thermostatic mixing valve with mixed outlet temperature gauge and angle body .....connections ½", ¾", 1" press, NPT male & sweat union
520___AC series	Adjustable three-way thermostatic mixing valve with mixed outlet temperature gauge, angle body with inlet port check valves .....connections ½", ¾", 1" press, NPT male & sweat union
5200x1A:	Adjustable three-way thermostatic mixing valve, angle style body only for field installed connection fittings and temperature gauge, order separately..... connections 1" & 1¼" male union

#### Technical specifications

##### Materials

- Valve body: DZR low-lead brass
- Shutter, seats and slide guides: PSU
- Springs: stainless steel
- Seals: peroxide-cured EPDM
- Adjustment knob: ABS

##### Performance

- Suitable fluids: water
- Setting range: 95–150° F (35–65° C)
- Tolerance: ±3° F (±2° C)
- Max. working pressure (static): 150 psi (10 bar)
- Max. working pressure (dynamic): 75 psi (5 bar)
- Max. hot water inlet temperature: 195° F (90° C)
- Max. inlet pressure ratio (H/C or C/H) for optimal performance: 2:1

- Minimum temperature difference between hot water inlet and mixed water outlet for optimal performance: 18° F (10° C)
- Min. flow to ensure optimal performance:
  - sizes ½" & ¾" inch: 0.5 gpm (2 L/min)
  - size 1 inch: 1.0 gpm (3.8 L/min)
- Max. flow for temperature stability:
  - sizes ½" & ¾" inch: 9 gpm (34 L/min)
  - size 1 inch: 16 gpm (60 L/min)
- Mixed outlet temperature gauge: 2" diameter  
Scale from 30° F to 210° F

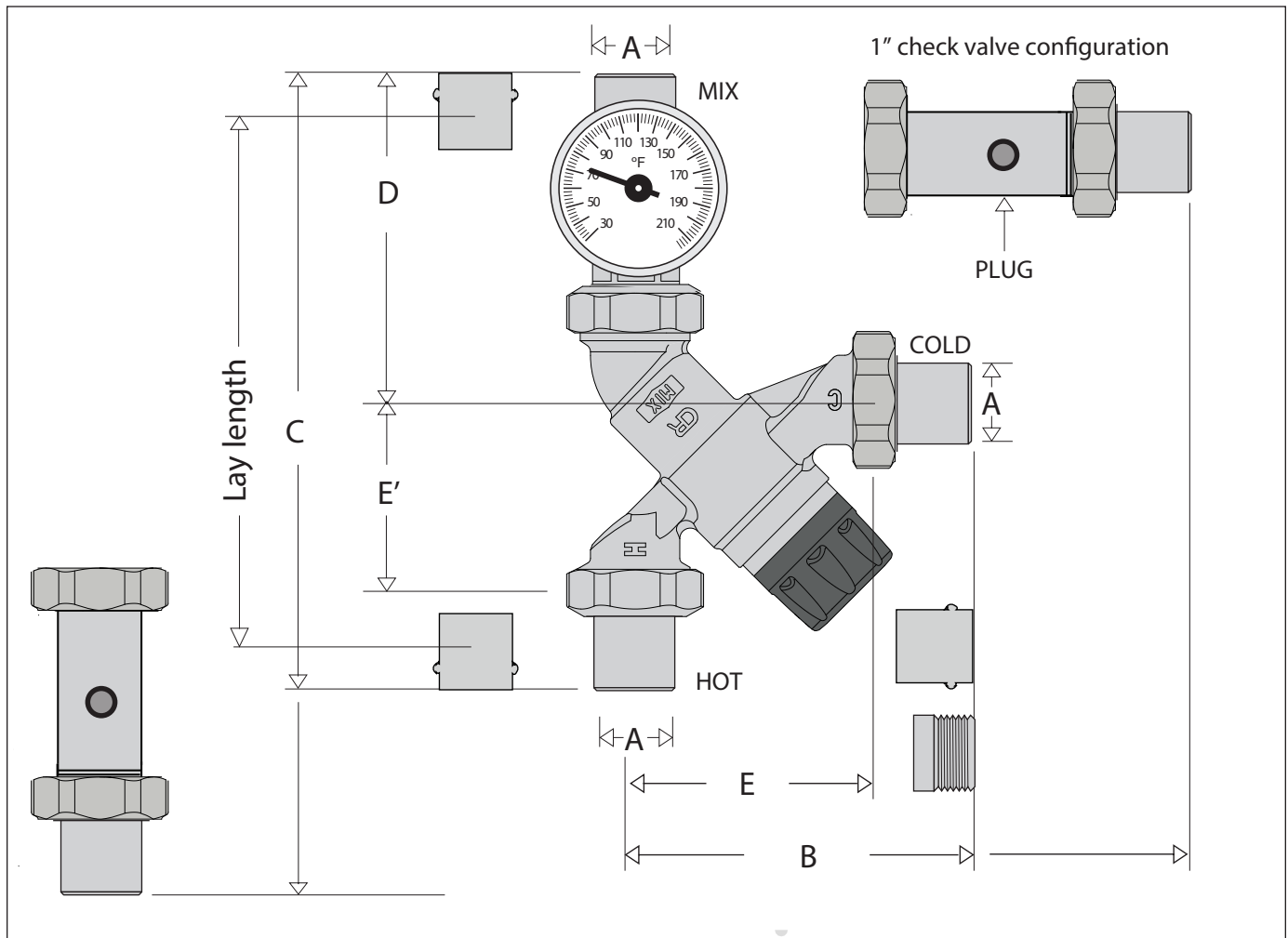
#### Certifications

1. ASSE 1017/CSA B125.3, UPC, IPC, IRC, NPC Low Lead Laws and listed by ICC-ES for use in accordance with the U.S. and Canadian plumbing codes. certified by ICC-ES, file PMG-1357.
2. Complies with NSF/ANSI 372 –2016, Drinking Water System Components–Lead Content Reduction of Lead in Drinking Water Act, California Health and Safety Code 116875S.3874, Reduction of Lead in Drinking Water Act, Vermont Act 193 The Lead in plumbing Supplies Law, Maryland's Lead Free Law HB. 372 Law, as certified by ICC-ES, file PMG-1360.

#### Connections

- sweat union: ½", ¾", 1"
- press union: ½", ¾", 1"
- NPT male union: ½", ¾", 1"

**Dimensions**



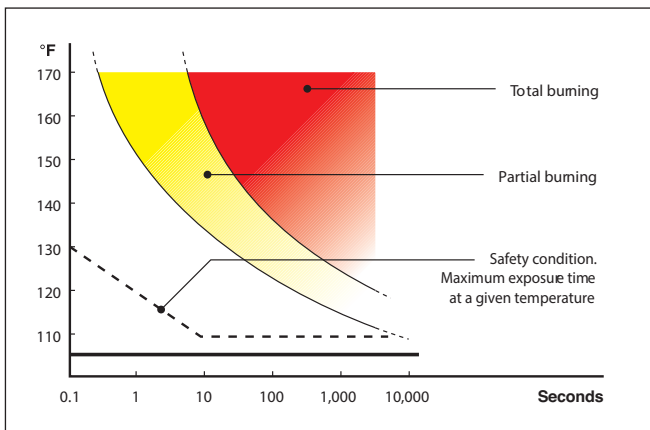
Code	A	B	C	D	E	E'	LL*	Wt. (lb.)		
520410A	1/2" NPT male	4 1/4"	8 1/2"	4 3/4"	73 mm	53 mm		1.7		
520410AC**	1/2" NPT male	4 1/4"	8 1/2"	4 3/4"				1.8		
520416A	1/2" press	3 3/4"	7 7/16"	4 1/4"				6 13/16"	1.8	
520419A	1/2" sweat	3 9/16"	6 1/8"	3 1/4"					1.7	
520419AC**	1/2" sweat	4 3/16"	6 3/4"	3 3/16"					1.8	
520510A	3/4" NPT male	3 13/16"	7 5/8"	4 1/4"					2.8	
520510AC**	3/4" NPT male	4 3/16"	8 3/8"	4 5/8"					2.8	
520516A	3/4" press	4"	8"	4 1/2"					5 9/16"	2.8
520516AC**	3/4" press	5 1/2"	9 1/2"	4 1/2"					7"	2.8
520519A	3/4" sweat	3 3/4"	6 1/2"	3 3/8"						2.8
520519AC**	3/4" sweat	4 1/4"	7 1/8"	3 3/8"				2.8		
520610A	1" NPT male	5 7/8"	11"	6"	93 mm	73 mm		2.8		
520610AC**	1" NPT male	8 9/16"	13 3/8"	5 13/16"					2.8	
520616A	1" press	5 1/8"	9 3/4"	5 3/8"					7"	2.0
520616AC**	1" press	7 1/2"	12 1/4"	5 3/8"					9 1/2"	2.1
520619A	1" sweat	4 3/4"	8 7/8"	4 7/8"						2.8
520619AC**	1" sweat	7 3/8"	11 1/2"	4 7/8"						2.8

\*Lay length for press tailpieces (hot inlet to mix outlet).

\*\*Inlet port check valves included.

\*\*\*The inlet check valve tailpieces are not integral for 1 inch assemblies, as in the other sizes. Two separate gauge/check valve adapters are provided for field installation.

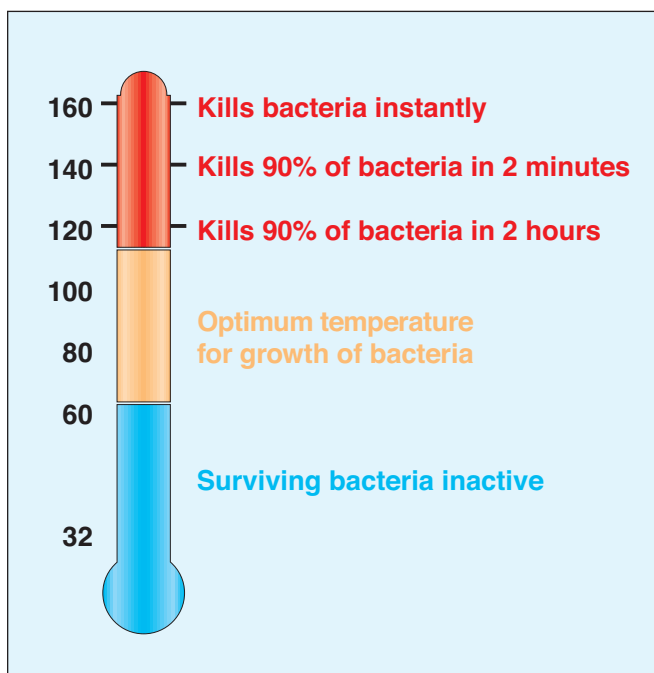
## Temperature — exposure time



## Thermal disinfection

The diagram shows the behavior of the bacteria Legionella Pneumophila when the temperature conditions of the water in which it is contained vary.

In order to ensure proper thermal “disinfection”, the values must not be below 140° F.



## Operating principle

The thermostatic mixing valve mixes the hot and cold water at the inlets to maintain constant mixed water at the desired set temperature. A thermostatic sensor (1) is fully immersed in the mixed water outlet passage (2) which, as it expands or contracts, continuously establishes the correct proportion of hot and cold water entering the valve. The regulation of these flows is by means of a piston (3) sliding in a cylinder between the hot and cold water passages. This controls the passage of hot (4) or cold (5) water at the inlet. If the inlet temperature or pressure changes, the internal element automatically reacts to restore the set temperature at the outlet. The AngleMix 520 series point of distribution mixing valve is an angled configuration for easy installation to most water heaters for direct mounting to the top pipe connections.

## Legionella-scalding risk

In systems producing domestic hot water with storage, in order to avoid the dangerous infection known as Legionella, the hot water must be stored at a temperature of at least 140° F. At this temperature it is certain that the growth of the bacteria causing this infection will be totally eliminated. At this temperature, however, the water cannot be used directly.

As shown on the diagram opposite, temperatures of more than 120° F can cause burning very quickly. For example, at 130° F partial burning will occur in approximately 30 seconds, while at 140° F partial burning will occur in approximately 5 seconds. The time may be reduced by 50 percent or more for children and elderly people.

In view of the above, it is necessary to install a thermostatic mixing valve which can:

- reduce the temperature at the point of use to a value lower than that of storage and suitable for sanitary users. For safety reasons, it is advisable to limit the mixed water temperature to 120° F when point-of-use anti-scalding thermostatic mixing valves are not present at all fixtures.
- maintain the temperature constant when the incoming pressure and temperature conditions vary.

## Construction details

### Anti-scale materials

The material used in the construction of the Caleffi AngleMix 520 series thermostatic mixing valve reduces jamming caused by lime deposits. All the working parts such as shutter, seats and slide guides are made of a special anti-scale polymer material, with a low friction coefficient, assuring long term performance.

### Temperature setting and locking

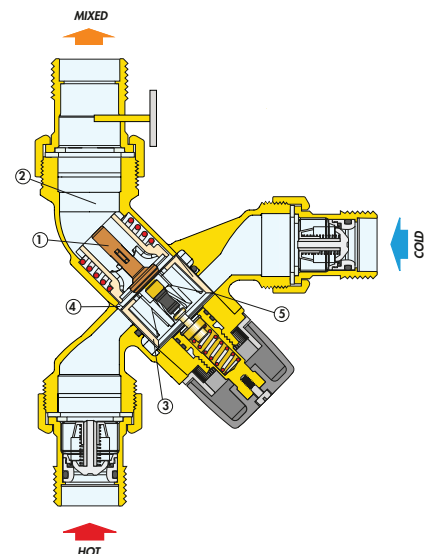
The control knob permits temperature setting between minimum and maximum in one turn (360°). It also has a tamper-proof system to lock the temperature at the set value.

### Thermal shut-off

In the event of accidental cold water supply failure, the shutter seals off the hot water passage, thus preventing the delivery of mixed temperature water. This is only guaranteed when there is a minimum temperature difference between the inlet hot water and the mixed temperature water delivery of 18° F. Additionally, the tight closing hot inlet port prevents temperature creep in recirculation applications.

### Check valve

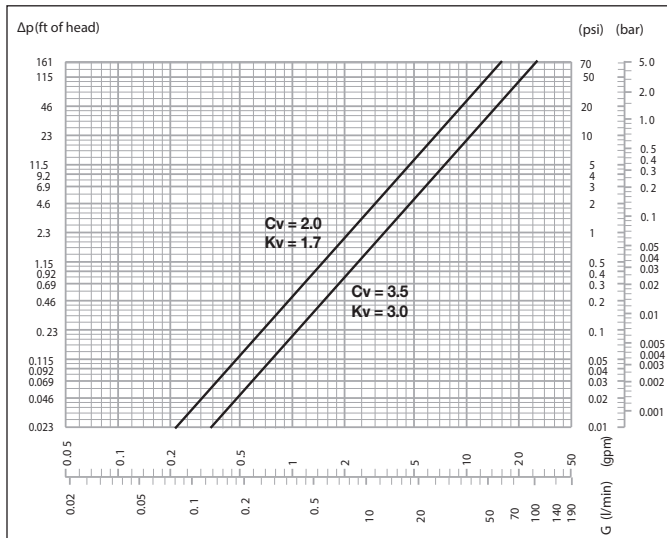
In systems with thermostatic mixing valves, check valves must be installed to prevent undesired backflow. As a convenience for easier installations, the AngleMix 5205\_\_AC series mixing valves are supplied complete with a check valve in the hot and cold inlet ports.



## Body shape

The angle body configuration has improved fluid dynamics for better performance, and reduces installation labor and materials because the hot inlet port is in line with the mixed outlet port, eliminating a piping elbow as required for standard mixing valves. The cold inlet comes in the side.

## Hydraulic Characteristics



Flow should never exceed standards for pipe size and materials.

## Use

Caleffi AngleMix 520 series thermostatic mixing valves are designed to be installed at the point of distribution to control the temperature of the domestic hot water distributed in the downstream network. The 520 series valve cannot be used for tempering water temperature at fixtures as a point-of-use valve. They are not designed to provide scald protection or chill protection service. They should not be used where ASSE 1070 devices are required. Wherever a scald protection feature is required, Caleffi 5213 series high performance mixing valves need to be installed. For safety reasons, it is advisable to limit the maximum mixed water temperature to 120° F when anti-scald devices are not used at each fixture.

## Installation

Before installing a Caleffi AngleMix 520 series three-way thermostatic mixing valve, the system must be inspected to ensure that its operating conditions are within the range of the mixing valve, checking, for example, the supply temperature, supply pressure, etc.

Systems where the 520 series thermostatic mixing valve will be installed must be drained and cleaned out to remove any dirt or debris which may have accumulated during installation.

The installation of appropriately sized filters at the inlet from the main water supply is always advisable.

Caleffi AngleMix 520 series thermostatic mixing valves must be installed by qualified personnel in accordance with the diagrams in this brochure, taking into account all current applicable standards.

Caleffi AngleMix 520 series thermostatic mixing valves can be installed in any position, either vertical or horizontal, or upside down.

The following are shown on the thermostatic mixing valve body:

- Hot water inlet, color red and marked "HOT".
- Cold water inlet, color blue and marked "COLD".
- Mixed water outlet, marked "MIX".

## Commissioning

The Caleffi AngleMix 520 series thermostatic mixing valve must be commissioned in accordance with current standards by qualified personnel using temperature measuring equipment. It comes standard with an integral outlet port temperature gauge, which provides a time-saving temperature setting process to get close to the desired temperature. Use of a digital thermometer is recommended for confirming the final setting of the mixed water temperature. After installation, the valve must be tested and commissioned in accordance with instructions given below, taking into account current applicable standards.

## Temperature adjustment

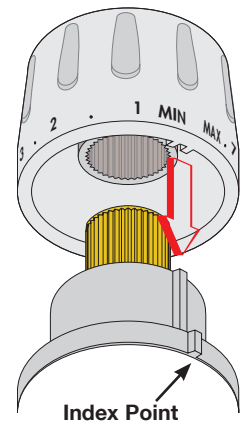
The temperature is set to the required value by means of the knob with the graduated scale, on the top of the valve.

Pos.	Min.	1	2	3	4	5	6	7	Max.
T (°F)	95	105	115	120	125	132	140	145	150
T (°C)	35	40	45	48	52	56	60	63	65


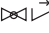




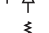
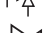


with:  $T_{HOT} = 158^{\circ}F (70^{\circ}C)$ , with:  $T_{cold} = 59^{\circ}F (15^{\circ}C)$ ,  $P = 43 \text{ psi (3 bar)}$

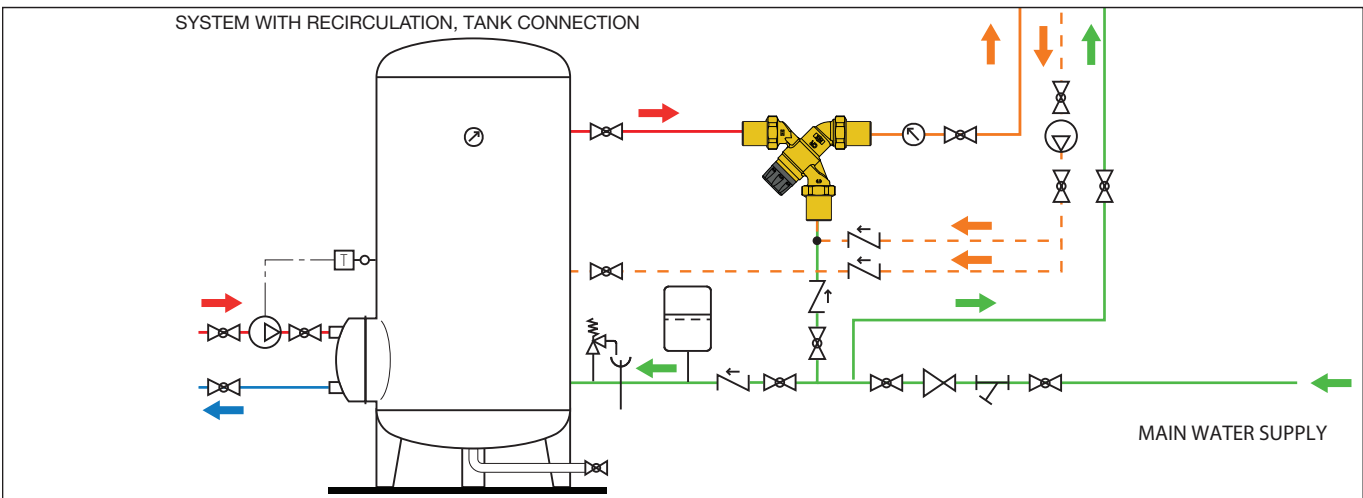
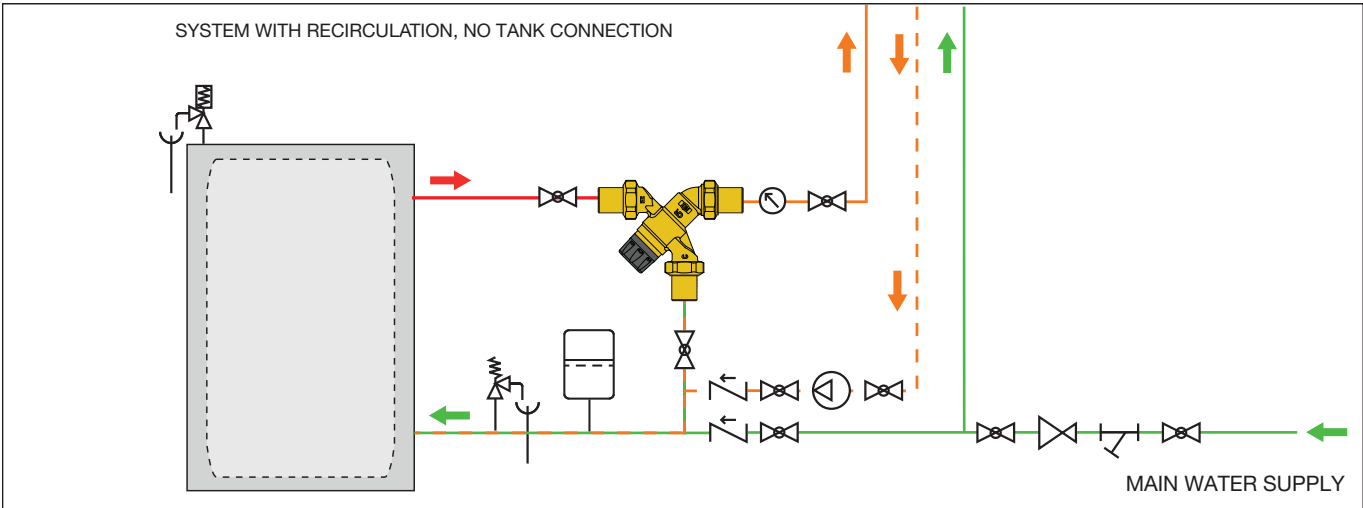
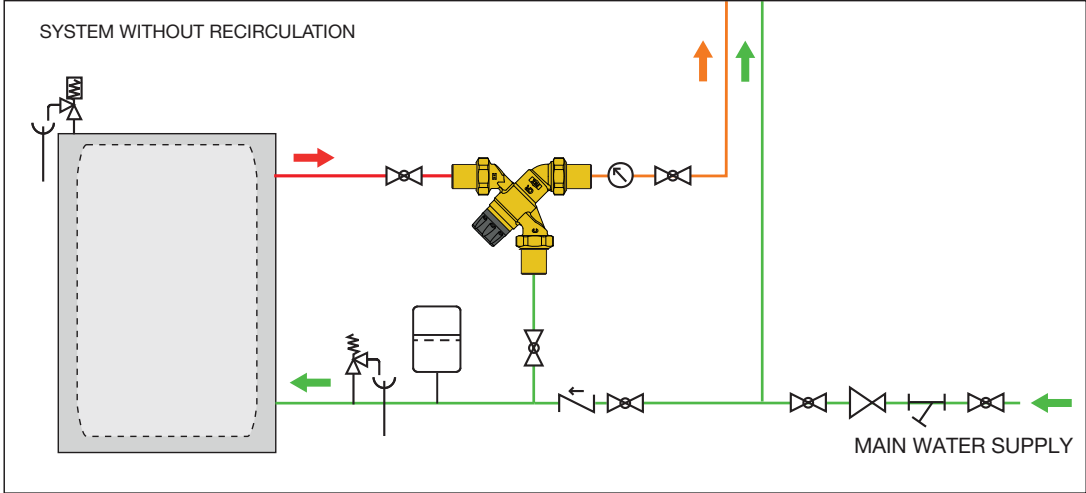
## Locking the setting

Position the handle to the number required with respect to the index point. Unscrew the head screw, pull off the handle and reposition it so that the handle fits into the internal slot of the knob. Tighten the head screw.



# Application diagrams

-  Ball valve
-  Ball valve with check valve
-  Temperature gauge
-  Pump
-  Expansion vessel
-  Thermostat
-  Temperature/pressure safety relief valve
-  Safety relief valve
-  Pressure reducing valve
-  Y-strainer



**Replacement parts**



Replacement body.  
Meets requirements of NSF/ANSI 372-2011. Certified to: ASSE 1017/CSA B125.3, Low lead, by ICC-ES file PMG-1360.  
End connection flexibility: 1/2", 3/4" or 1" npt female or male, press, PEX barb or sweat with or without check valves, separately sourced for field installation. See Caleffi List Price catalog for fitting selection.



Point of distribution mixed temperature gauge adaptor fits 1" male union thread mixing valves. Removable gauge fits into temperature well. Gauge dial is 2" diameter and scale from 30–210° F. Low-lead brass body. Meets requirements of NSF/ANSI 372-2011. Certified to: ASSE 1017/CSA B125.3, Low lead, by ICC-ES file PMG-1360.

520051A.....1" male union thread, 1/2" & 3/4" vavles. Cv=2.0 (Kv=1.7)  
520061A.....1" male union thread, 1" valve. Cv=3.5 (Kv=3.0)

NA10056.....3/4" sweat with gauge  
NA10358 .....1" union thread with gauge  
688003A.....Replacement gauge

**SPECIFICATION SUMMARIES**

**AngleMix™ 5205\_A(C) series - angle style thermostatic mixing valve**

Adjustable thermostatic and pressure balanced angle style mixing valve, certified by ICC-ES to ASSE 1017-2009 and CSA B125.3, approved for point of distribution domestic water systems. Connections 1/2", 3/4" and 1" NPT male, press or sweat union. DZR low-lead brass valve body (<0.25% Lead content) certified by ICC-ES file 1360. Meets requirements of NSF/ANSI 372-2011. Shutter, regulating seats and sliding surfaces in anti-scale plastic, PSU. Seals peroxide-cured EPDM. Stainless steel spring. Maximum working temperature 195 degrees F (90 degrees C). Setting range 95 degrees F to 150 degrees F (35 degrees C to 65 degrees C). Maximum working pressure 150 psi (10 bar). Maximum operating differential pressure 75 psi (5 bar). Tolerance ±3 degrees F (±2 degrees C). Flow rating: Cv 2.0 (Kv 1.7). Provided with tamper-proof setting lock and mixed outlet temperature gauge, 30 degrees F to 210 degrees F scale, 2 inch diameter. Provide with inlet port check valves, AC models.

**AngleMix™ 5200X1A - angle style thermostatic mixing valve**

Adjustable thermostatic and pressure balanced angle style mixing valve, certified by ICC-ES to ASSE 1017-2009 and CSA B125.3, approved for point of distribution domestic water systems. Connections 1" male union (code 520051A) and 1 1/4" male union (code 520061A). DZR low-lead brass valve body (<0.25% Lead content) certified by ICC-ES file 1360. Meets requirements of NSF/ANSI 372-2011. Shutter, regulating seats and sliding surfaces in anti-scale plastic, PSU. Seals peroxide-cured EPDM. Stainless steel spring. Maximum working temperature 195 degrees F (90 degrees C). Setting range 95 degrees F to 150 degrees F (35 degrees C to 65 degrees C). Maximum working pressure 150 psi (10 bar). Maximum operating differential pressure 75 psi (5 bar). Tolerance ±3 degrees F (±2 degrees C). Flow rating: Cv 2.0 (Kv 1.7), code 520-51A; Cv 3.5 (Kv 3.0), code 520061A. Provided with tamper-proof setting lock. Provide with separately supplied mixed outlet temperature gauge, 30 to 210 degrees F scale, 2 inch diameter. Provide with separately supplied end connection fittings, with or without check valves, for 1/2", 3/4", or 1" NPT male, NPT female, press, PEX crimp or sweat with 1" union nut and washer.

*We reserve the right to change our products and their relevant technical data, contained in this publication, at any time and without prior notice.*



Caleffi North America, Inc.  
3883 W. Milwaukee Road  
Milwaukee, WI 53208  
Tel: 414-238-2360 · Fax: 414-238-2366  
sales@caleffi.com · www.caleffi.com  
© Copyright 2021 Caleffi North America, Inc.