

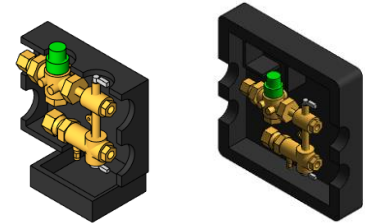
FLOWMATIC® Express Coil Kit

© Copyright 2023 Caleffi

149 Series

Revit Content Instructions Guide

Manufacturer & Product: Caleffi FLOWMATIC 149 Series Express Coil Kit
Files: *Coil_Kit-Caleffi-FLOWMATIC-149.rfa*
Type Catalogs: *Coil_Kit-Caleffi-FLOWMATIC-149.txt*
Rendering file: Not Applicable
Schedule file: Not Applicable



The Caleffi FLOWMATIC 149 Series Express Coil Kit family contains the following main variations or types:

- Sizes 0.5 in., 0.75 in. and 1 in.
- Option to add 656524, 656504, 145013, 145018 actuator or manual shut-off
- Flow range options for each size (refer specifications sheet/type catalog)

Instance Properties

Here is a curated list of notable parameters for the Revit user within the Caleffi FLOWMATIC 149 Series Express Coil Kit family.

Construction	
► Cover	This controls visibility of the whole cover.
► Small Cover	This controls visibility of the out of the box cover (on by default)
► Front Cover	This controls visibility of the front cover.
► Actuator Option Selector	This controls actuator option for the PICV from the list below
① Manual Valve	This is active when Actuator Option Selector is set to 1
② Code 145013 Actuator	This is active when Actuator Option Selector is set to 2
③ Code 145018 Actuator	This is active when Actuator Option Selector is set to 3
④ Code 656504 Actuator	This is active when Actuator Option Selector is set to 4
⑤ Code 656524 Actuator	This is active when Actuator Option Selector is set to 5
Constraints	
Offset from Face	This shows the actual distance from connection plane to wall host
Offset from Face Override	This overrides the default value of offset from face set in the family
Mechanical – Flow	
Flow Warning	This tells you a warning if the flow rate falls outside the allowable minimum/maximum
Bypass Water Percentage	This controls the percentage of flow diverted through the Bypass
Hot Water Inlet Flow	This shows the value of flow from Hot Water Inlet
Hot Water Outlet Flow	This shows the value of flow from Hot Water Outlet
Bypass Water Flow	This shows the value of flow through the Bypass
Return Water Inlet Flow	This shows the value of flow from Return Water Inlet
Return Water Outlet Flow	This shows the value of flow from Return Water Outlet
Mechanical – Loads	
Pressure Drop Feet of Water	Specify the pressure drop in feet of water.
System Pressure Drop	This tells you the system pressure drop.

Type Properties

Here is a curated list of notable parameters for the Revit user in the Caleffi FLOWMATIC 149 Series Express Coil Kit family.

Materials	
PICV Body Material	Metal - Caleffi - Brass - DZR Corrosion Resistant
Cover Material	Polyethylene Foam - Caleffi - Black
Identity Data	
Assembly Code*	D3040
Contact URL*	https://www.caleffi.com/usa/en-us/contacts/contact-us

Copyright*	©Caleffi North America
Cost	
Description*	FLOWMATIC® Express Coil Kit
Family Version*	1
Keynote	
Manufacturer*	Caleffi North America, Inc.
Model*	149400A G40
Actuator Model*	Manual Shutoff Valve
Accessory Part Number*	Out of the box insulation jacket
Product Page URL*	https://www.caleffi.com/usa/en-us/catalogue/flowmaticr-express-coil-kit-149400a-g40
Type Comments	
Type Image	
Series*	149 Series
URL*	http://www.caleffi.com/usa/en-us
Revit Content Guide URL*	https://www.caleffi.com/usa/en-us/docs/search?search_language=en-us&search_file_type=All&f%5B0%5D=field_file_type%3A54181

Halftone text in the property tables indicates that the value is locked from editing.

*Indicates Shared Parameter and can be scheduled. Product specifications documentation can be accessed using the Product Page URL.

Rendering

Note: Standard Caleffi materials are imported. These may be modified, but please ensure that the modification selection matches an actual manufacturer supplied option.

Loading and Placing into the Project

To work with the Caleffi FLOWMATIC 149 Series Express Coil Kit in Revit, families and type catalogs where applicable are provided. Navigate to the Insert Tab > Load Family button on the Revit ribbon to load the family. Be sure the type catalog (.txt) file is located in the same folder as the family you are loading. Please ensure that the visibility settings within the project are modified to have the Piping category visible.

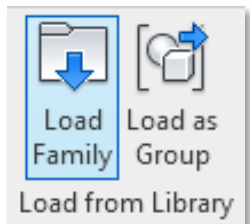


Figure 1 - Insert Tab > Load Family

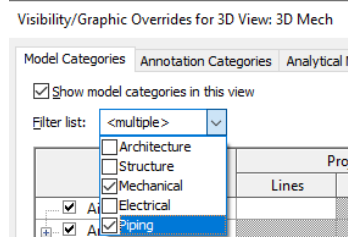


Figure 2 - Visibility/Graphic Overrides

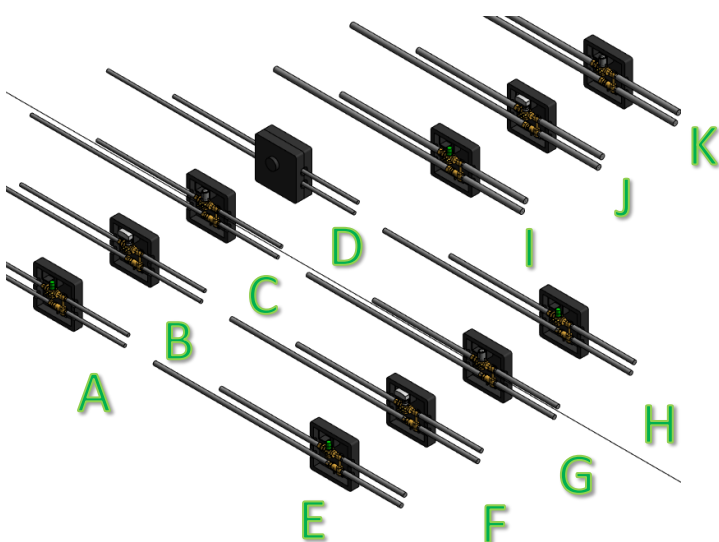


Figure 3 - Caleffi FLOWMATIC 149 Series Express Coil Kits size variations in a sample Revit project

Flowmatic 149 Coil Kit with F0001771 insulation jacket and -

- A. 0.50 in. NPT Female connection, manual shutoff (149400A 1G8)
- B. 0.50in. NPT Female connection, 145018 actuator (149400A 3G5)
- C. 0.50in. NPT Female connection, 656504 actuator (149400A G40)
- D. 0.50in. NPT Female connection, manual shutoff, front cover (149400A G90)
- E. 0.75in. NPT Female connection, manual shutoff, no PT ports on PICV (149500A 1G8)
- F. 0.75in. NPT Female connection, 145018 actuator (149500A 3G5)
- G. 0.75in. NPT Female connection, 656504 actuator (149500A 5G3)
- H. 0.75in. NPT Female connection, manual shutoff (149500A G90)
- I. 1in. NPT Female connection, manual shutoff (149600A 7G9)
- J. 1in. NPT Female connection, 145018 actuator (149600A 13G)
- K. 1in. NPT Female connection, 656504 actuator (149600A 16G)

Project Behavior

One way to place a Caleffi FLOWMATIC 149 Series Express Coil Kit is to go to the Systems Tab on the Revit ribbon and navigate to the Component button with Place a component fly-out selected.

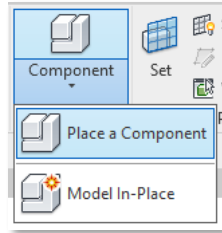


Figure 4 - Systems Tab > Component > Place a Component

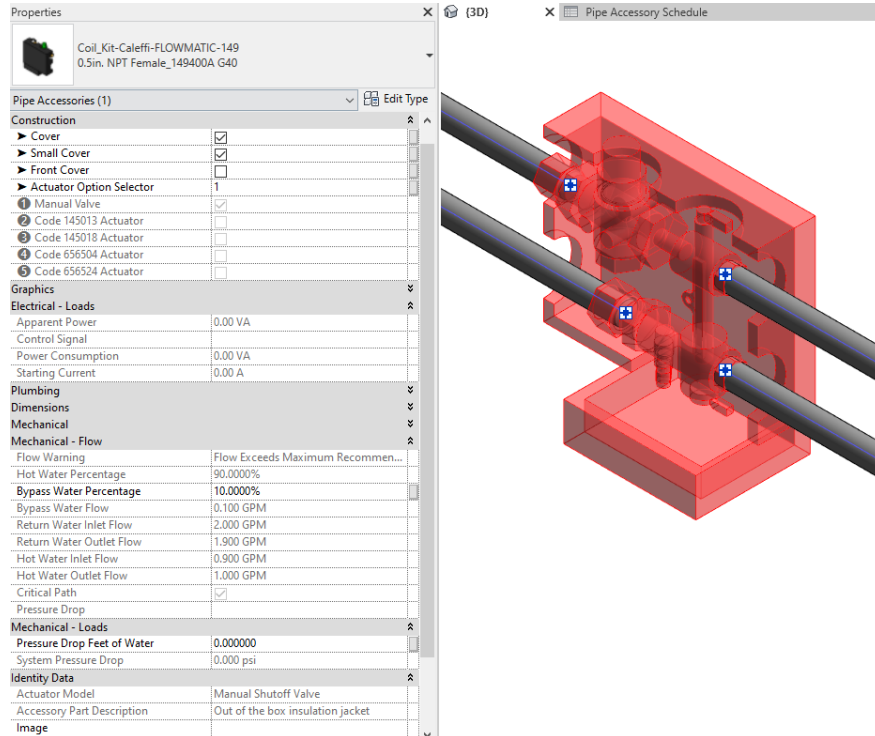


Figure 5 – The Caleffi FLOWMATIC 149 Series Express Coil Kit families can be found under pipe accessories in the project browser and placed directly onto pipe of the same size. It will then read flows and consider pressure drop in the system.

Schedule Creation

Within the type and instance properties dialogues, the Revit user will find useful information for scheduling purposes such as Type, Part Description, Part Number/Model, Family Version, Manufacturer, Series, & Product Page URL. The resulting Pipe Accessories schedule in your project will show counts/quantities of the Caleffi FLOWMATIC 149 Series Express Coil Kit as well as separate quantities/counts of any separately purchased accessory products that do not come in box with the Caleffi FLOWMATIC 149 Series Express Coil Kit.

**For Technical Support call 1-414-338-6338, or
email techsupport.us@caleffi.com**

